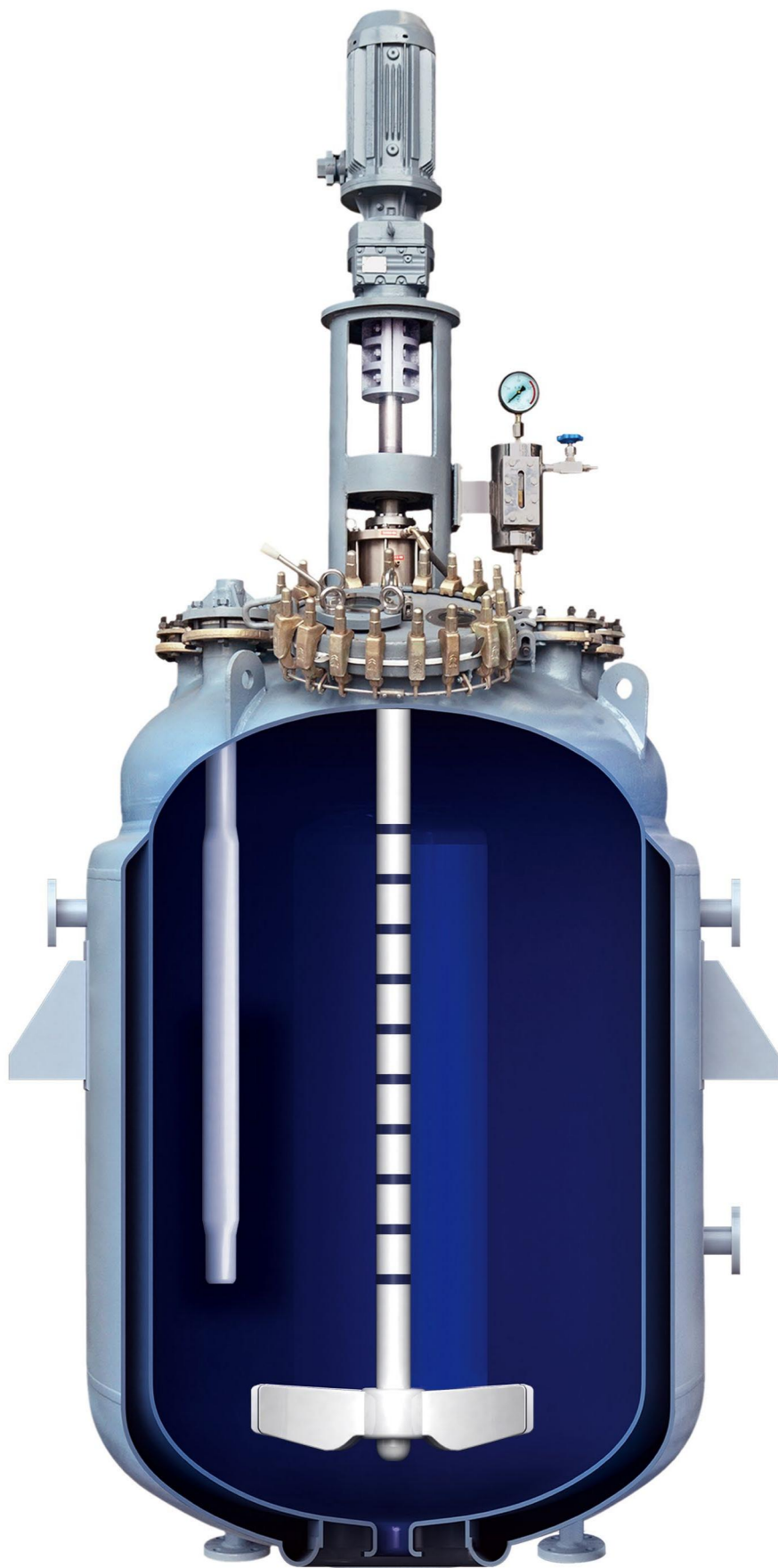


CHINA TAIJI

GLASS-LINED EQUIPMENT

# 中国太极搪玻璃设备



淄博太极工业搪瓷有限公司  
ZIBO TAIJI INDUSTRIAL ENAMEL CO., LTD.

一切让客户满意

To Satisfy Customers Fully

资质证书

Certificates of Taiji

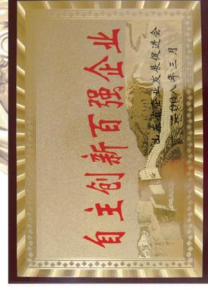
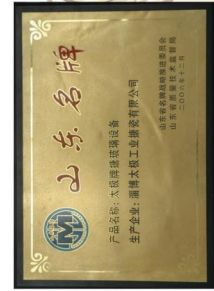
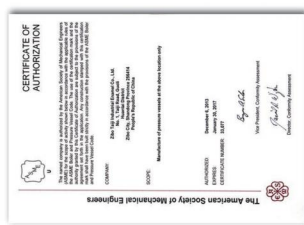
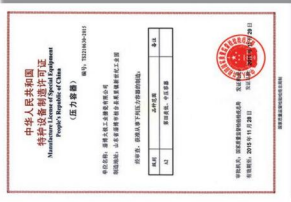
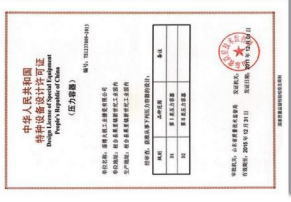
CHINA 中国  
TAL CLASSIFIED EQUIPMENT  
中国太极搪玻璃设备



太极每年所制造销售的搪玻璃设备数量和价  
值均超过整个淄博市所有几十家同行企业的总和，  
而且所生产的搪瓷设备经久耐用，深得国内外用  
户的信心和好评。



淄博市市委书记、市长率各区县及市直一把手率近200人到太极公司考察



# 搪玻璃设备

Glass-Lined Equipments

# 目录 CONTENTS

01 公司简介 COMPANY PROFILE

03 为什么太极搪玻璃设备中国最优?

WHY DOES TAIJI HAVE THE OPTIMAL GLASS-LINED EQUIPMENTS IN CHINA?

05 太极公司部分专利 PATENTS OF TAIJI COMPANY

客户进行产品验收 FRESHMENT INSPECTION BY CUSTOMERS

07 搪玻璃反应罐剖面图 SECTIONAL ELEVATION OF TAIJI REACTOR

08 开式搪玻璃反应罐 K TYPE GLASS-LINED REACTORS

09 闭式搪玻璃反应罐 F TYPE GLASS-LINED REACTORS

15 AE型搪玻璃反应罐 AE TYPE GLASS-LINED REACTORS

19 BE型搪玻璃反应罐 BE TYPE GLASS-LINED REACTORS

25 CE型搪玻璃反应罐 CE TYPE GLASS-LINED REACTORS

29 开式搪玻璃贮罐 K TYPE GLASS-LINED STORAGE TANKS(VERTICAL)

33 闭式搪玻璃贮罐 F TYPE GLASS-LINED STORAGE TANKS(VERTICAL)

35 卧式搪玻璃贮罐 HORIZONTAL GLASS-LINED STORAGE TANKS

39 搪玻璃电加热反应罐 GLASS-LINED REACTORS WITH ELECTRIC HEATING

41 偏心搪玻璃搅拌机 ECCENTRIC GLASS-LINED AGITATOR VESSELS

43 GMP搪玻璃设备 GLASS-LINED EQUIPMENTS COMPLYING WITH GMP

44 搪玻璃塔器 GLASS-LINED COLUMNS

45 搪玻璃过滤器 GLASS-LINED FILTERS

46 搪玻璃列管式换热器 GLASS-LINED SHELL AND TUBE HEATING EXCHANGERS

47 不锈钢压力容器 STAINLESS STEEL PRESSURE VESSELS

48 搪玻璃搅拌机 GLASS-LINED AGITATORS

49 冷冻拆装式搪玻璃搅拌机 FROZEN ASSEMBLY GLASS-LINED AGITATORS

51 搪玻璃温度计套管和加料管

GLASS-LINED THERMOMETER POCKETS AND DIP PIPES

52 搪玻璃放料阀 GLASS-LINED FLUSH VALVES

53 机械密封 MECHANICAL SEALS

54 驱动装置 DRIVES

55 人孔装置 MANHOLE COVER DEVICES

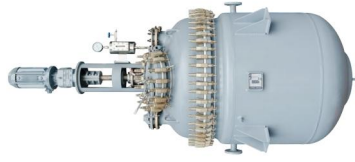
56 搪玻璃管件 GLASS-LINED PIPES AND FITTINGS

57 活套法兰和垫片 SPLIT FLANGES AND GASKETS

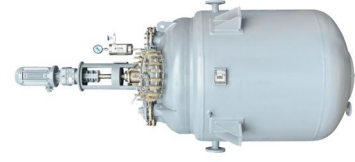
58 高性能的搪玻璃轴 HIGH PERFORMANCE ENAMEL

59 企业文化 ENTERPRISE CULTURE

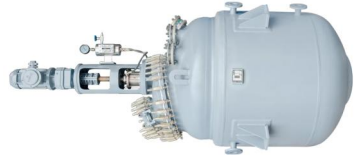
60 太极公司发展历史重点记事 THE HISTORY OF TAIJI DEVELOPMENT



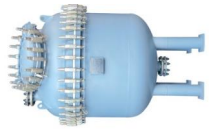
开式搪玻璃反应罐  
AE Type Glass-Lined Reactors



闭式搪玻璃反应罐  
BE Type Glass-Lined Reactors



闭式搪玻璃反应罐  
CE Type Glass-Lined Reactors



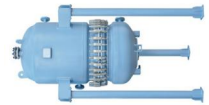
开式搪玻璃贮罐  
K Type Glass-Lined Storage Tanks



闭式搪玻璃贮罐  
F Type Glass-Lined Storage Tanks



搪玻璃过滤器  
Glass-Lined Filters



搪玻璃过滤器  
Glass-Lined Filters



不锈钢过滤器  
Stainless Steel Filters



卧式搪玻璃贮罐  
Horizontal Glass-Lined Storage Tanks



搪玻璃塔器  
Glass-Lined Columns



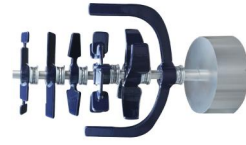
GMP 搪玻璃设备  
Stainless Steel Equipments Complying With GMP



GMP 搪玻璃设备  
Stainless Steel Equipments Complying With GMP



搪玻璃管件  
Glass-Lined Pipes And Fittings



冷冻拆装式搪玻璃搅拌机  
Frozen Assembly Glass-Lined Agitators



搪玻璃列管式换热器  
Glass-Lined Shell And Tube Heating Exchangers



半管夹套搪玻璃反应釜  
Glass-Lined Reactors With Half Pipe Jacket

01

03

05

07

08

09

15

19

25

29

33

35

39

41

43

44

45

46

47

48

49

51

52

53

54

55

56

57

58

59

60

62

64

# 公司简介

Company Profile

淄博太极工业搪瓷有限公司，是专业生产搪玻璃化工设备及碳钢、不锈钢压力容器的大型企业。公司占地面积17万平方米，其中生产车间占地面积11万平方米。公司拥有最先进的搪玻璃设备制造工艺及认真负责的员工队伍，现有员工1000余人，其中专业技术人员210人，年生产搪玻璃设备3万台（件），净资产5亿多元。太极每年所制造销售的搪玻璃设备数量和价值均超过整个淄博市所有几十家同行业企业的总和，而且所生产的搪瓷设备经久耐用，深得国内外用户的信任和好评，是中国最大正规的搪玻璃设备制造企业。

太极公司向拥有国家一类、二类、三类压力容器制造许可证和设计许可证。通过美国ASME认证、欧洲PED认证、俄罗斯RTM认证，拥有搪玻璃设备生产许可证，自营进出口权。是中国搪玻璃设备制造行业中首家通过ISO9001国际质量体系认证、ISO14001环境体系认证的企业。太极公司荣获“山东省明星企业”称号，太极搪玻璃设备荣获“山东名牌”，公司已取得大小百余项荣誉证书，而且自行研制并申请通过搪玻璃设备实用新型专利36个。新产品与新技术的不断研发，使太极公司在搪玻璃行业中处于遥遥领先地位。

太极公司以其良好的产品质量和周到的售后服务赢得了国内外众多新老客户的信赖。太极公司的产品已经远销至美国、法国、俄罗斯、哈萨克斯坦、巴西、南非、阿根廷、智利、土耳其、希腊、西班牙、泰国、日本、韩国、印度、台湾等几十个国家和地区。

太极公司自创立之初，便把科技创新作为立厂之本，使搪玻璃设备设计制造技术生产工艺水平不断提高，始终处于搪玻璃设备制造行业的前列。太极人用一流的产品质量，一流的售后服务，赢得了国内外客户的认可，打造出“太极搪玻璃设备”品牌，为石油、化工、食品、医药、农药等行业提供各种规格的高品质标准及非标搪玻璃设备。

Zibo Taji Industrial Enamel Co., Ltd is a large enterprise which specializes in manufacturing glass-lined chemical equipments, carbon steel, stainless steel and titanium steel pressure vessels. It occupies a total area of 170,000 square meters including 110,000 square meters of workshop. TAJI has the most advanced glass-lined equipments manufacturing process and responsible staff. Now we have 1,000 staff in total including 210 technical persons. TAJI produces more than 30,000 sets glass-lined equipments annually, net asset over 0.5 billion CNY. The annual output and sales of Taji glass-lined equipments are more than the sum of that of dozens of factories in Zibo city. The outstanding durability of our glass-lined equipments helps us win the users' trust and favorable comment at home and abroad, making Taji be the largest glass-lined equipments manufacturer in China.

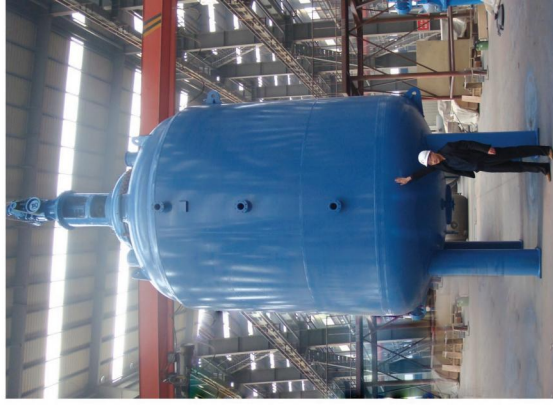
TAJI possesses the Design and Manufacture Certificate for the National Class I, II, III Pressure Vessels, American ASME Certificate, European PED Certificate and Russian RTN Certificate. It is also having glass-lined equipments manufacturing license and import and export license. Besides, we are the first company to pass ISO9001 Quality System Certificate and ISO14001 Environment System Certificate in glass-lined equipments industry. TAJI gets the title of Shandong Star Enterprise and the Shandong Famous Brand for the glass-lined equipments. Hundreds of honor certificates have been granted to TAJI, and because of our innovation we have gotten 36 glass-lined equipments utility patents. New products and advanced technology development make TAJI far ahead in glass-lined equipments industry.

TAJI wins the trust of customers from home and abroad by its good quality and thoughtful after-sales service. Our equipments have been sold to more than dozens of countries and regions, such as America, France, Russia, Latvia, Brazil, South Africa, Argentina, Chile, Turkey, Greece, Spain, Thailand, Japan, South Korea, India and Taiwan, etc.

Since its inception, TAJI makes the scientific and technological innovation as the motto of our company. This promotes continuous improvement of glass-lined equipments manufacturing technology and makes TAJI always in the forefront of glass-lined equipments industry. Taji people wins the recognition of domestic and foreign customers by the first-class products quality and after-sales service. TAJI creates a "Taji glass-lined equipments" brand and supplies all kinds of high quality standard and non-standard glass-lined equipments for petroleum, chemical, pharmaceutical, food, and pesticides industries, etc.



80,000L 搪玻璃罐  
80,000L Glass-lined Storage Tanks



60,000L 搪玻璃立式反应罐  
60,000L Vertical Glass-lined Reactors



# 为什么太极搪玻璃设备中国最优?

Why does TAJU have the optimal glass-lined equipments in China?

太极每年均生产销售几万件搪玻璃设备,是世界生产搪玻璃设备最多的厂家,而用户使用中产生质量问题却少之又少,几乎都长年不出问题,所售出的设备维修率远低于其他同行厂家。而国内同行质量问题频频发生,严重影响了用户的生产,甚至连号称世界最先进的搪玻璃设备厂家也经常出现质量问题,此清已是业内共知的问题。这就是太极虽只有几名业务员且十几年不用推销产品,却依然能生产产品供不应求的原因。太极每年所制造销售的搪玻璃设备数量和价值均超过整个淄博市所有几十家同行企业的总和,而且所生产的搪玻璃设备经久耐用,深得国内外用户的信任好评。于是乎,太极成了一个令人费解的谜,中外搪玻璃设备制造商争相造访,欲窥一窍究竟。

其实太极搪玻璃设备为什么能够销量可靠使产品供不应求,主要原因有以下几个。

一、太极的管理始终如一认真严格,全方位管理细致。在此管理方面是出了名的严格,是被行业公认的。最重要的是,太极从不搞虚名假着,而是完全为用户着想,始终不懈地致力于将搪玻璃设备做到更好更优,保证设备让用户用的更长久,用着更放心,用户对太极的产品和服务等各方面都能更满意。

二、太极对待员工如兄弟姐妹,工资待遇极高,公司所产生的利润大多都用于员工的福利工资等。公司投资一亿二千万建造了能够容纳四百余人的五星级职工单身宿舍楼,还给主要管理及技术人员在环境优美的小区购买了一百多套一百六十余平米的住房供其终身居住,还为其配置车辆、装修、进口大电脑等一系列福利待遇及文化活动,使员工上下一心,全心爱厂,政令通达,工作质量优秀,所生产的产品自然优良可靠。

三、太极使用的钢板都是大厂生产的高质钢材,并严格按照国家标准生产制作。最关键的是太极自己所研制的搪玻璃瓷釉是在国外瓷釉技术的基础上又加以改进,使瓷釉与钢材经烧制后能更加紧密结合为一体,理化性能远超过同行正常使用使用的瓷釉,使瓷釉在耐酸、耐碱、耐急变等全方面指标保持同行领先地位。

四、太极搪玻璃设备采取冷焊粉技术,需将瓷釉一层一层的烧制在钢罐上,这样需经过6次冷喷面釉再烧制,每次烧完后还要反复修整瓷釉烧制的隐患(气泡等)剔除,然后方可再用瓷釉喷上去,再经过高温的电炉烧成,最后瓷层达到规定的厚度并经过2万伏导电波检查合格方为成品。

而国内南方同行的厂家均采用热喷低温瓷釉技术,只需1到2次面釉喷瓷釉制成成品,这样制造成本虽大降低,但却因低温瓷釉必然的质量问题而影响了产品质量,再加上烧成过程每次喷瓷釉过厚而将一些潜在隐患(气泡、铁刺等)覆盖在瓷层下面,这样一旦用户使用中反复加热,就会使瓷层下的气泡膨胀产生压力,这种压力就会将瓷层顶破,而且也极易使介质从气泡及顶破处产生的铁刺等导致玻璃罐薄的地方腐蚀穿孔,因而使设备损坏。

五、太极拥有36项专利技术,使烧成技术更加科学,太极的设备完全按照国家标准制造,绝不故意为了成本而减薄钢板。而且太极无论大小设备产品及配件都基本上属于自己生产制造,极大地提升了太极产品质量的稳定性,这在规模较大的搪玻璃设备制造行业中更是极少有的。

历史经验证明,企业只有脚踏实地,真正做好质量功,才是生存的唯一方法。否则,只靠降低价格或走量是不可能长久的。太极的产品价格几年来一直是最高,但产品的性价比却也是最高的。

太极搪玻璃设备中国最优,可谓无价之宝的搪玻璃设备,这就是为什么太极搪玻璃设备呈逐年扩大产量却一直供不应求,也是为什么在中国乃至全球只有太极搪玻璃设备公司能从小至大型起巨大的原因所在。



等离子数控切割机  
Plasma CNC Cutting Machine



四辊玻璃压机,最大辊压厚度50mm  
Four-roller Hydraulic-Pressure Rollers With Automatic Grinding Machine  
Maximum Rolling Thickness 0.50mm



自动抛光机  
Automatic Sand Polishing Room

TAJU, manufacturing and selling tens of thousands sets of glass-lined equipments each year, has the largest amount of glass-lined equipments produced in the world, while almost getting no complaints from users for the quality problems. Besides our repair rate of all of the equipments supplied is much lower than the other manufacturers in this industry. However, our domestic counterparts have quality problems occurred frequently and this seriously affects the user's production, even one of the world's most advanced glass-lined equipments manufacturer is no exception. Strict quality control makes our equipments in short supply though just by few salesman and seldom promotion. As a result, TAJU becomes a perplexing mystery, which pushes glass-lined equipments manufacturers both at home and abroad to find it out.

Actually why does TAJU glass-lined equipments have reliable quality and in short supply, the main reasons are as below:

1. TAJU management is consistently earnest, rigorous and meticulous, which is well-known and recognized in this industry. Most importantly, TAJU is never making a false reputation, completely considerate for the sake of users, and persistently focusing on better glass-lined equipments. That ensures users to use equipments much longer and more satisfied with TAJU's products and service.

2. TAJU has a harmonious humanity environment and high employee benefits; most part of the company's profits is used for the staffs' welfare and salaries, etc. TAJU invested one hundred and twenty million CNY to build the five-star dorms accommodating over 400 persons, and provides the main management and technical backbone more than one hundred sets of 160 square meters of the houses for living in the beautiful urban districts, equipped with a series of welfare such as imported vehicles, decoration, big TV etc. All the benefits and welfare help strengthen the bonds between the employees and the factory, allowing for higher quality products and outstanding customer service.

3. All the steel plates used in TAJU are supplied by big factories, whose products are strictly in accordance with the national standards. On the basis of foreign enamel technology TAJU innovated and developed our own enamel to make the enamel and steel plates more closely integrated as a whole after fired. The physical and chemical performance of the enamel is much better than the counterparts of normal use enamel factories, making TAJU equipments take precedence in all aspects, such as acid and alkali resistance, abrasion resistance and sharp temperature variation resistance etc.

4. TAJU takes cold spray technology during the glass-lined equipments production, needing to spray enamel on the shells layer upon layer, normally, needing 6 times repeat on the spray enamel and burning process. The potential hazard (air bubbles, etc.) will have to be checked and gotten rid of after each burning, then enamel powder spraying and high temperature furnace burning could be applied accordingly. Finally, enamel thickness reaches the request and is inspected by a 20KV spark testing for the finished products.

But now most of the domestic manufacturers apply thermal spray and low temperature firing technology, only once or twice enamel spraying and burning process. Though this way could save cost greatly, inevitably affects the products quality. What's more, some potential hazards (air bubbles, iron thorn, etc.) caused by excessive spraying under the glass lining layer can make the enamel damaged and equipments corroded. This is because for these bubbles they are easily broken during the repeated heating by users' side.

5. TAJU has 36 patents, making sintering technology more scientific. All the equipments in TAJU are completely in accordance with the national standards. Manufacturing all the equipments and spare parts in our own workshops greatly improve products stability, which is rare in the equipments manufacturing industry.

Historical experience has shown that companies only with their feet on the ground and focusing on the quality can survive finally. Otherwise, consistent unreasonable low price or other cheating ads definitely could not sustain a company a long time. Though TAJU has kept the highest price more than a decade, but it is also supplying the most cost efficient products.

"Original glass-lined equipment, continuous use without problems", that is why TAJU has been expanding year after year while glass-lined equipments are still in short supply. This also explains why TAJU Industrial Enamel Co. Ltd has grown to be the largest glass-lined manufacturer in China.



20,000L 搪玻璃贮罐生产中  
20,000L Class-Lined Storage Tanks In Production



30,000L 卧式搪玻璃贮罐准备发货  
30,000L Horizontal Glass-Lined Storage Tanks Vins, Ready For Shipment



63,000L 搪玻璃贮罐准备发货  
63,000L Class-Lined Storage Tanks Ready For Shipment



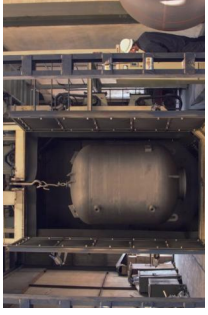
50,000L 搪玻璃贮罐准备发货  
50,000L Class-Lined Storage Tanks Ready For Shipment



拥有16套专利地下电炉  
16 Underground Patented Electric Furnace



自动埋弧焊接设备  
Automatic Submerged-Arc Welding Equipments



自动砂磨  
Automatic Sand Polishing Room

# 太极公司部分专利 (侵权必究)

Patents Of Taiji Company (all rights reserved)

实用新型名称	内热式电加热装置
专利号: ZL 99 2 4660.4	
实用新型名称	防表面氧化抽玻璃设备
专利号: ZL 99 2 4757.5	
实用新型名称	防腐抽玻璃设备
专利号: ZL 99 2 4746.2	
实用新型名称	耐压耐温抽玻璃设备
专利号: ZL 99 2 4747.0	
实用新型名称	移动式抽玻璃设备烧成炉
专利号: ZL 00 2 1415.3	
实用新型名称	抽玻璃设备烧成气炉
专利号: ZL 00 2 1300.4	
实用新型名称	抽玻璃过滤器
专利号: ZL 00 2 1301.2	
实用新型名称	连通式抽玻璃设备烧成炉
专利号: ZL 00 2 1503.X	
实用新型名称	防腐抽玻璃设备
专利号: ZL 00 2 1502.1	
实用新型名称	抽玻璃设备烧成炉
专利号: ZL 00 2 1591.8	
实用新型名称	抽玻璃设备烧成炉
专利号: ZL 00 2 1573.6	
外观设计名称	抽玻璃卡模具
专利号: ZL 00 3 1268.8	
实用新型名称	防腐抽玻璃设备
专利号: ZL 01 2 3671.0	
实用新型名称	高温喷涂枪
专利号: ZL 01 2 3669.9	
实用新型名称	抽玻璃设备烧成炉
专利号: ZL 01 2 6105.7	
实用新型名称	化工设备吊烧架
专利号: ZL 01 2 6961.1	
实用新型名称	化工设备吊烧架
专利号: ZL 01 2 6941.7	
实用新型名称	燃气喷枪嘴
专利号: ZL 01 2 6228.1	
实用新型名称	燃气喷枪嘴
专利号: ZL 01 2 6227.3	



■注意: 为保密专利号变动一位数字, 检举侵权者, 给予重赏。

UTILITY MODEL TITLE: INTERNAL HEATING TYPE ELECTRIC HEATER UNIT	PATENT NUMBER: ZL 99 2 4660.4
UTILITY MODEL TITLE: THE PREVENTING SURFACE OXIDATION TYPE THE GLASS LINED EQUIPMENT	PATENT NUMBER: ZL 99 2 4757.5
UTILITY MODEL TITLE: CORROSION PROTECTION GLASS LINED EQUIPMENT	PATENT NUMBER: ZL 99 2 4746.2
UTILITY MODEL TITLE: PROOF PRESSURE AND PROOF TEMPERATURE TYPE GLASS LINED EQUIPMENT	PATENT NUMBER: ZL 99 2 4747.0
UTILITY MODEL TITLE: THE ACTIVITY TYPE FURNACE FOR GLASS LINING EQUIPMENT	PATENT NUMBER: ZL 00 2 1415.3
UTILITY MODEL TITLE: THE GAS FURNACE OF GLASS LINED EQUIPMENT	PATENT NUMBER: ZL 00 2 1300.4
UTILITY MODEL TITLE: GLASS LINED FILTER	PATENT NUMBER: ZL 00 2 1301.2
UTILITY MODEL TITLE: COMMUNICATION TYPE FURNACE OF GLASS LINED EQUIPMENT	PATENT NUMBER: ZL 00 2 1503.X
UTILITY MODEL TITLE: CORROSION PROTECTION GLASS LINED EQUIPMENT	PATENT NUMBER: ZL 00 2 1591.8
UTILITY MODEL TITLE: THE FURNACE OF GLASS LINED EQUIPMENT	PATENT NUMBER: ZL 00 2 1573.6
DESIGN TITLE: THE CLAMP DIE ASSEMBLY OF GLASS LINED EQUIPMENT	PATENT NUMBER: ZL 00 3 1268.8
UTILITY MODEL TITLE: CORROSION PROTECTION GLASS LINED EQUIPMENT	PATENT NUMBER: ZL 01 2 3669.9
UTILITY MODEL TITLE: THE FURNACE OF GLASS LINED EQUIPMENT	PATENT NUMBER: ZL 01 2 6105.7
UTILITY MODEL TITLE: THE HANGING BURNS RACK OF CHEMICAL EQUIPMENT	PATENT NUMBER: ZL 01 2 6961.1
UTILITY MODEL TITLE: THE HANGING BURNS RACK OF CHEMICAL EQUIPMENT	PATENT NUMBER: ZL 01 2 6941.7
UTILITY MODEL TITLE: FIRE GASES SPRAY GUN MOUTH	PATENT NUMBER: ZL 01 2 6228.1
UTILITY MODEL TITLE: FIRE GASES SPRAY GUN MOUTH	PATENT NUMBER: ZL 01 2 6227.3



UTILITY MODEL TITLE: GLASS LINED U-TUBE TYPE HEAT EXCHANGER	PATENT NUMBER: ZL 02 2 1345.7
UTILITY MODEL TITLE: GLASS LINED U-TUBE TYPE HEAT EXCHANGER	PATENT NUMBER: ZL 02 2 1345.7
UTILITY MODEL TITLE: THE FURNACE OF GLASS LINED EQUIPMENT	PATENT NUMBER: ZL 00 2 1595.0
UTILITY MODEL TITLE: THE FURNACE OF GLASS LINED EQUIPMENT	PATENT NUMBER: ZL 00 2 1553.1
UTILITY MODEL TITLE: FUME, ASH DECONTAMINATION PLANT	PATENT NUMBER: ZL 00 2 4785.9
UTILITY MODEL TITLE: DIE ASSEMBLY OF LOOSE FLANGE	PATENT NUMBER: ZL 00 3 4006.1
UTILITY MODEL TITLE: SPRAY SAND EQUIPMENT	PATENT NUMBER: ZL 02 2 1438.2
UTILITY MODEL TITLE: THE FURNACE OF MULTIPLE GLASS LINED EQUIPMENT	PATENT NUMBER: ZL 02 2 7092.9
UTILITY MODEL TITLE: THE INTEGRAL TYPE FURNACE OF GLASS LINED EQUIPMENT	PATENT NUMBER: ZL 02 2 7091.0
UTILITY MODEL TITLE: THE WALL OF FURNACE OF GLASS LINED EQUIPMENT	PATENT NUMBER: ZL 02 2 8091.1
UTILITY MODEL TITLE: THE FURNACE TRANSPORTER OF GLASS LINED EQUIPMENT	PATENT NUMBER: ZL 02 2 8071.0
UTILITY MODEL TITLE: HANGING BURNT FURNACE FOR MULTIPLE GLASS LINED EQUIPMENT	PATENT NUMBER: ZL 02 2 9092.8
UTILITY MODEL TITLE: THE UNDERGROUND TYPE FURNACE OF GLASS LINED EQUIPMENT	PATENT NUMBER: ZL 2009 2 0026867.9
UTILITY MODEL TITLE: GLASS LINED DIP PIPE CORROSION RESISTANT PATENT NUMBER: ZL 2009 2 0026865.X	
UTILITY MODEL TITLE: GLASS LINED FILTER	PATENT NUMBER: ZL 2009 2 0026868.3
UTILITY MODEL TITLE: BOTTOM FLUSH VALVE WITH TEMP. SENSOR	PATENT NUMBER: ZL 2009 2 0026866.4

■NOTE: IN ORDER TO KEEP SECRET, THE PATENT NUMBER CHANGES ONE NUMERAL. WE WILL GIVE AMPLE REWARDS TO PEOPLE WHO REPORT THE NAME OF PIRATE.

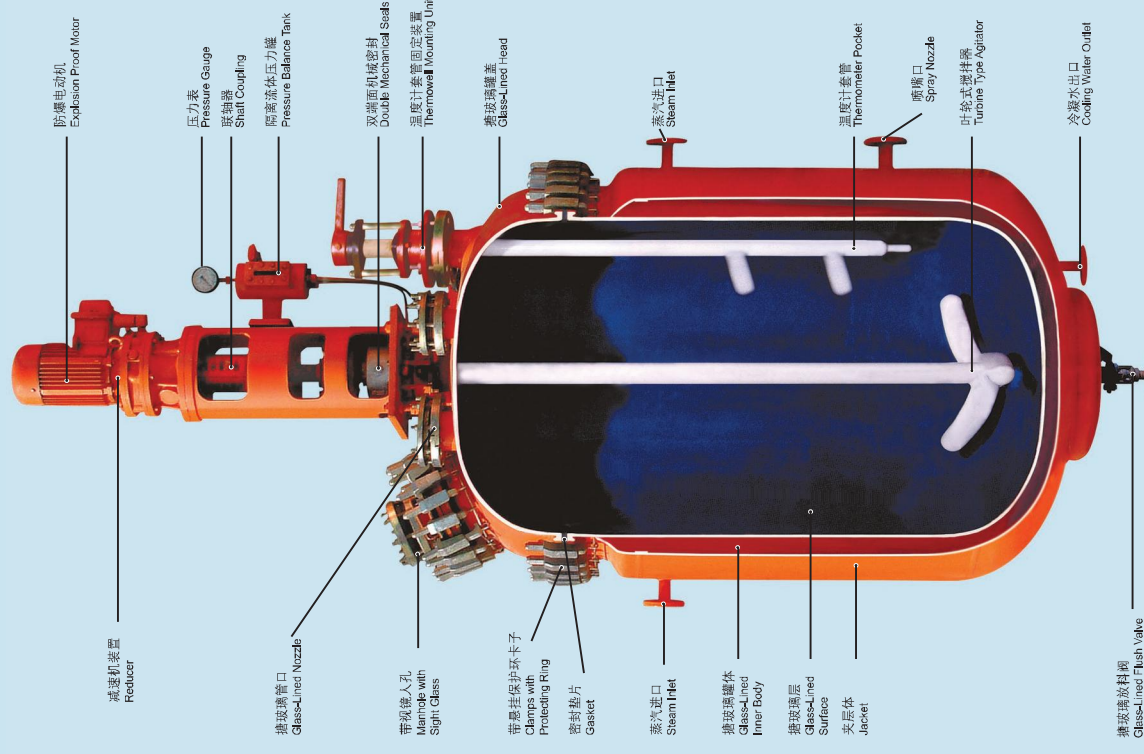
## 客户进行产品验收

Preshipment Inspection By Customers



## 搪玻璃反应罐剖面图

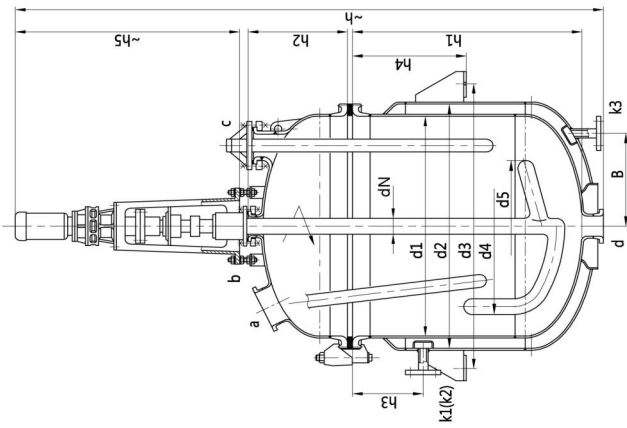
Sectional Elevation Of Taju Reactor



本样本所有文字和图片的所有权归淄博太极工业搪瓷有限公司所有，未经许可，不得转载，否则将追究其法律责任。  
Copyright of text and pictures in this catalogue vests with Zibo Taji Industrial Enamel Co., Ltd. Reproduction is prohibited without permission, otherwise legal actions will be sought.

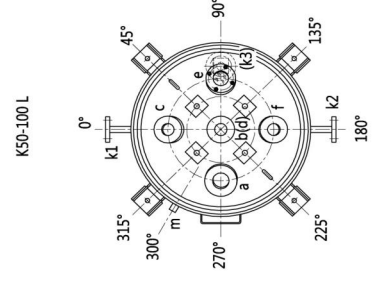
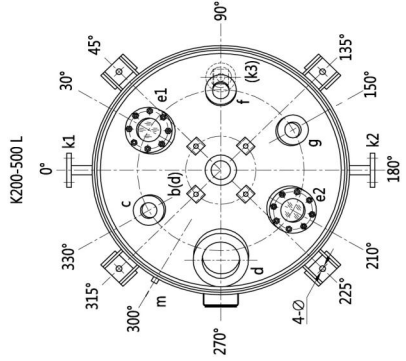
# 开式搪玻璃反应罐

K Type Glass-Lined Reactors



设计压力 Design Pressure	MPa	0.4/0.6/1.0	夹套 Jacket	0.6/1.0
设计温度 Design Temperature	°C	-19/200	内罐 Inner Vessel	-19/200

符号 Symbol	用途 Usage
a	手孔 Handhole
b	搅拌口 Agitator Hole
c	温度计口 Thermowell Pocket
d	放料口 Material Outlet
e1,e2	视镜口 Sightglass
f,g	备用口 Spare
k1,k2,k3	夹套进(出)口 In/Outlet
m	排气口 Vent Hole



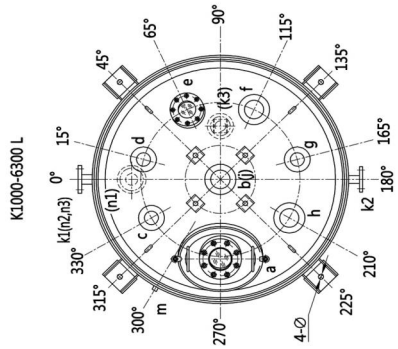
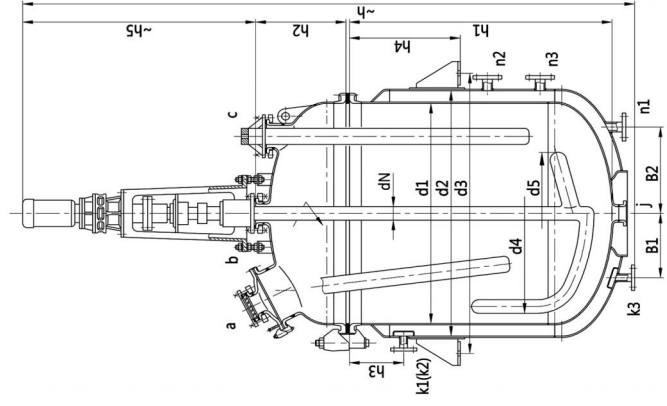
规格 Specifications	K50	K100	K200	K300	K500
公称容积 Nominal Capacity	50	100	200	300	500
全容积 Total Capacity	102	180	325	483	743
计算容积(注1) Calculate Capacity(Notes 1)	71	128	247	369	588
夹套容积 Jacket Capacity	21	32	57	92	130
换热面积 Heat Exchange Area	0.34	0.66	1.26	1.75	2.64
参考重量 Reference Weight	420	490	650	920	1140
d1	500	600	700	800	900
d2	600	700	800	900	1000
d3(内径z)	706	816	918	1028	1130
d4	420	520	620	720	810
d5	300	300	400	500	500
h1	400	500	700	800	1000
h2	274	309	354	390	415
h3	220	250	270	280	280
h4	300	340	370	390	400
h	1785	1930	2195	2545	2985
B	250	250	250	250	270
Φ	14	18	18	23	23
a	80	80	125	125	150
b	65	65	100	100	100
c	65	65	65	65	65
d	65	65	80	80	80
e1	65	65	65	65	80
e2	/	/	65	65	80
f	65	65	80	80	100
g	/	/	65	65	125
k1	20	20	25	25	32
k2	20	20	25	25	32
k3	20	20	25	25	32
m	G3/8"	G3/8"	G3/8"	G3/8"	G3/8"
dN	40	40	50	65	65
h5	950	950	953	1170	1170

注: 1. 计算容积: 高颈法兰以下部份的容积。  
2. 支撑型式由用户任意确定, 如用户无要求, 按耳座制定。  
Notes: 1. Calculate Capacity: Volume under highneck flange.  
2. Support types could be determined by users. If no special request, lugs would be normally applied.



# 开式搪玻璃反应罐

K Type Glass-Lined Reactors



设计压力 Design Pressure	MPa	0.4/0.6/1.0	0.6/1.0
设计温度 Design Temperature	°C	-19/200	-19/200

符号 Symbol	用途 Usage
a	人孔 Manhole
b	搅拌口 Agitator Hole
c	温度计口 Thermowell Pocket
d,f,g,h	备用口 Spare
e	视镜口 Sightglass
j	放料口 Medium Outlet
k1,k2,k3	来套进(出)口 In/Outlet
n1,n2,n3	来套喷嘴口 Spare Nozzle
m	排气口 Vent Hole

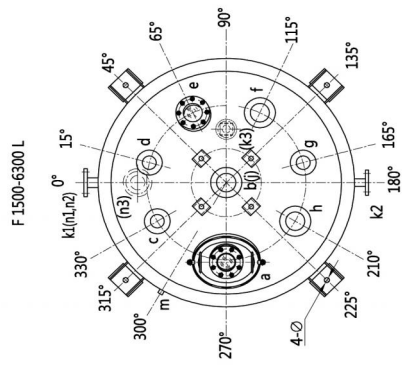
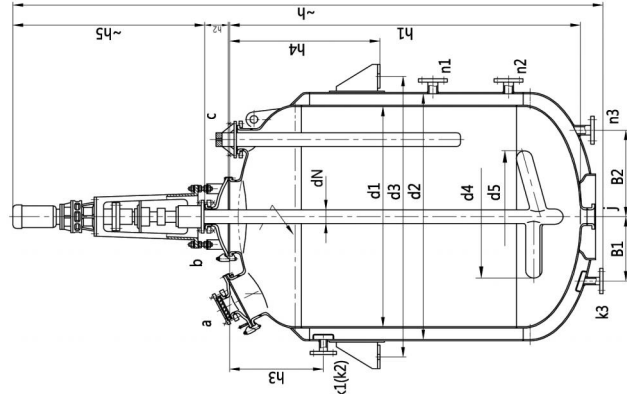
规格 Specifications	K 1000	K 1500	K 2000	K 3000	K 4000	K 5000	K 6300
公称容积 Nominal Capacity	1000	1500	2000	3000	4000	5000	6300
全容积 Total Capacity	1616	2172	2640	4170	5140	6470	7580
计算容积(注1) Calculate Capacity (Note 1)	1244	1714	2180	3370	4334	5443	6561
来套容积 Jacket Capacity	206	300	387	461	774	873	1027
换热面积 Heat Transfer Area	4.55	5.76	7.23	9.33	11.85	13.74	16.43
参考重量 Reference Weight	1820	2280	2535	3555	4055	4940	5560
d1	1200	1300	1300	1600	1600	1750	1750
d2	1300	1450	1450	1750	1750	1900	1900
d3(视镜z)	1468	1622	1622	1964	1964	2152	2152
d4	1080	1180	1180	1440	1440	1580	1580
d5	700	700	700	800	800	850	850
h1	1200	1400	1830	1810	2290	2410	2875
h2	494	519	519	594	594	632	632
h3	290	330	330	340	340	340	340
h4	600	650	650	700	700	700	700
h	3450	3700	4050	4210	4650	4820	5470
B1	315	315	315	315	315	350	350
B2	/	510	510	510	510	510	510
φ	30	30	30	30	30	30	30
a	300x400	300x400	300x400	300x400	300x400	300x400	300x400
b	125	125	125	150	150	150	150
c	100	100	100	100	100	125	125
d	100	100	100	100	100	125	125
e	100	125	125	125	125	125	125
f	125	125	125	125	125	125	125
g	100	100	100	100	100	125	125
h	100	125	125	125	125	150	150
j	100	100	100	125	125	125	125
k1	32	40	40	50	50	65	65
k2	32	40	40	50	50	65	65
k3	32	40	40	50	50	65	65
n1	/	50	50	65	65	65	65
n2	/	50	50	65	65	65	65
n3	/	/	/	/	/	65	65
m	G3/8"	G3/8"	G3/8"	G3/8"	G3/8"	G3/8"	G3/8"
dN	80	80	80	95	95	95	95
h5	1320	1320	1320	1360	1360	1360	1360

注：1. 计算容积：高颈法兰以下部分的容积。  
2. 支腿型式由用户定做确定，如用户无要求，按图例制定。  
Notes: 1. Calculate Capacity: Volume under highneck flange.  
2. Support types could be determined by users, if no special request. Legs would be normally supplied.



# 闭式搪玻璃反应罐

F Type Glass-Lined Reactors



设计压力 Design Pressure	MPa	0.4/0.6/1.0	0.6/1.0
设计温度 Design temperature	℃	-19/200	-19/200
罐内 Inner Vessel	夹套 Jacket		

符号 Symbol	用途 Usage
a	人孔 Manhole
b	搅拌口 Agitator Inlet
c	温度计口 Thermometer Pocket
d,f,g,h	备用口 Spares
e	视镜口 Sightglass
j	放料口 Medium Outlet
k1,k2,k3	夹套进(出)口 In/Outlet
n1,n2,n3	排气口 Ventilate 夹套喷嘴口 Spray/Nozzle

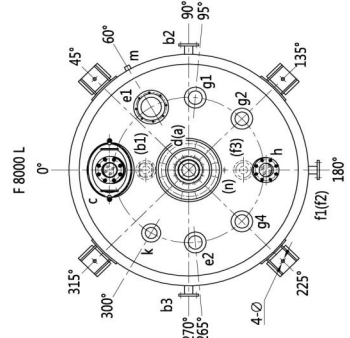
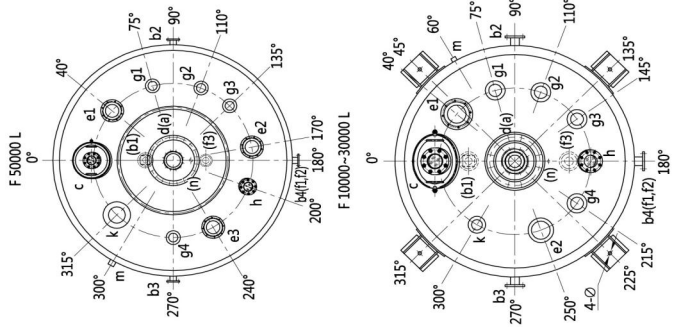
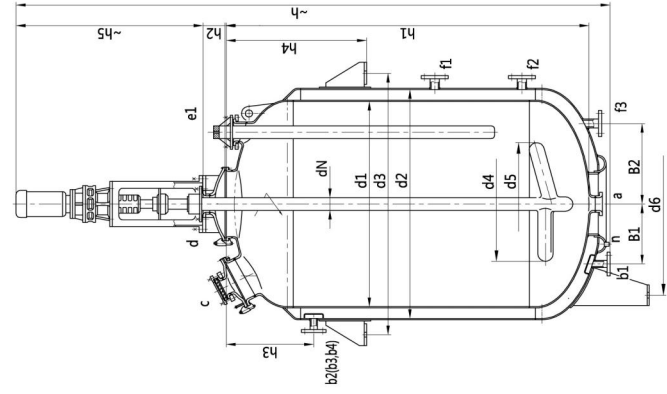
规格 Specifications	F 1500	F 2000	F 3000	F 4000	F 5000	F 6300
公称容积 Nominal Capacity (L)	1500	2000	3000	4000	5000	6300
总容积 Total Capacity (L)	2020	2470	3860	4795	6040	6900
计算容积 (注1) Calculate Capacity (Notes 1) (L)	1990	2440	3830	4765	6016	6872
夹套容积 Jacket Capacity (L)	301	390	495	805	898	1015
换热面积 Heat Exchange Area (m <sup>2</sup> )	5.92	7.31	9.98	12.44	14.06	16.36
参考重量 Reference Weight (kg)	2120	2380	3360	3905	4720	5200
d1	1300	1300	1600	1600	1750	1750
d2	1450	1450	1750	1750	1900	1900
d3 (Notes 2)	1622	1622	1964	1964	2152	2152
d4	680	680	720	720	720	720
d5	700	700	800	800	850	850
h1	1801	2136	2250	2730	2888	3244
h2	190	190	190	190	190	190
h3	725	725	700	700	750	750
h4	975	975	1060	1060	1200	1200
B1	315	315	315	315	350	350
B2	510	510	510	510	510	510
φ	30	30	30	30	30	30
a	300x400	300x400	300x400	300x400	300x400	300x400
b	125	125	150	150	150	150
c	100	100	100	100	125	125
d	100	100	100	100	125	125
e	125	125	125	125	125	125
f	125	125	125	125	150	150
g	100	100	100	100	125	125
h	125	125	125	125	150	150
j	100	100	125	125	125	125
k1	40	40	65	65	65	65
k2	40	40	65	65	65	65
k3	40	40	65	65	65	65
n1	50	50	65	65	65	65
n2	/	/	/	/	/	/
n3	50	50	65	65	65	65
m	G3/8"	G3/8"	G3/8"	G3/8"	G3/8"	G3/8"
dN	80	80	95	95	95	95
h5	1320	1320	1360	1360	1360	1530

注: 1. 计算容积: 高位法兰以下部分的容积。  
Notes: 1. Calculate Capacity: Volume under highneck flange.  
2. 支撑型式由用户定购确定, 如用户无要求, 按耳座制造。  
2. Support types could be determined by users, if no special request, lugs would be normally applied.

# 闭式搪玻璃反应罐

F Type Glass-Lined Reactors

设计压力 Design Pressure	MPa 0.4/0.6/1.0	罐内 Inner Vessel	夹套 Jacket
设计温度 Design Temperature	℃ -19/200	0.6/1.0	-19/200
符号 Symbol	用途 Usage		
a	放料口 Medium Outlet		
b1,b2,b3,b4	夹套进(出)口 In/Outlet		
c	人孔 Manhole		
d	搅拌口 Agitator Hub		
e1	温度计口 Thermowell Pocket		
e2,g1,g2,g3,g4,k	备用口 Spares		
f1,f2,f3	夹套喷嘴口 Spray Nozzle		
h	视镜口 Sight Glass		
m	放气口 Ventilate		
n	放净口 Clean Inlet		



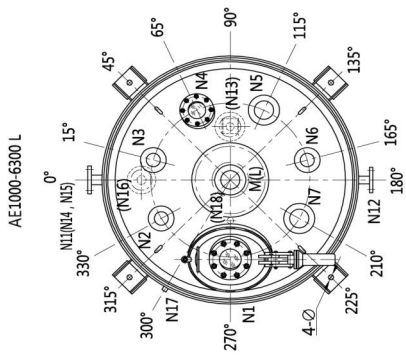
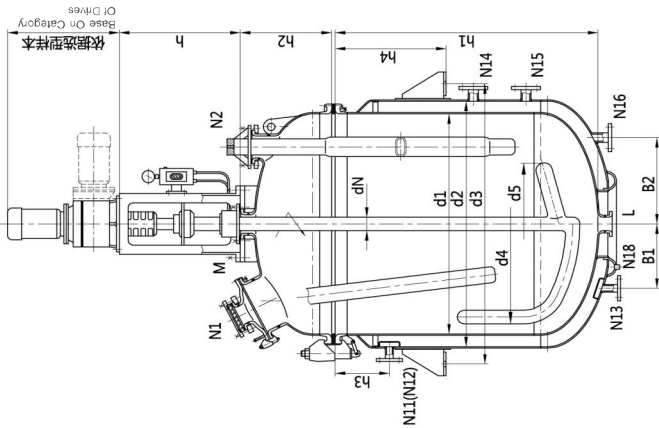
规格 Specifications	F 8000	F 10000	F 12500	F 16000	F 20000	F 30000	F 50000
公称容积 Nominal Capacity	8000	10000	12500	16000	20000	30000	50000
全容积 Total Capacity	9105	11719	13696	17491	21835	33645	56444
计算容积(液) Calculated Capacity (Liquor)	9060	11674	13651	17446	21790	33500	55514
计算容积(固) Calculated Capacity (Solid)	1666	1940	2243	2551	2870	3700	4520
换热面积 Heat Exchange Area	18.38	21.35	24.89	29.48	34.04	45	34.04
参考重量 Reference Weight	6959	7911	9342	11222	13530	19270	34590
d1	2000	2200	2200	2400	2600	3000	3800
d2	2200	2400	2400	2600	2800	3200	4000
d3 (max.2)	2452	2703	2703	2908	3179	/	/
d4	880	980	980	980	1080	1300	1600
d5	1100	1200	1200	1200	1300	/	1600
d6 (max.2)	/	/	/	/	2100	2300	2680
h1	3310	3533	4053	4346	4641	5340	5611
h2	210	210	210	210	260	260	647
h3	850	900	900	950	1000	1150	1340
h4	1200	1300	1300	1400	1550	/	/
h	5400	5600	6530	7010	7475	8835	10425
B1	400	470	470	470	470	470	470
B2	510	550	550	550	550	550	550
φ	30	36	36	36	36	/	/
a	125	150	150	150	150	150	150
c	300x400	300x400	300x400	450	450	450	450
d	200	200	200	200	250	250	250
e1	200	200	200	200	200	200	200
e2	150	200	200	200	200	200	200
e3	/	/	/	/	/	/	200
g1	150	150	150	150	150	150	150
g2	150	150	150	150	150	150	150
g3	/	150	150	150	150	150	150
g4	150	150	150	150	150	150	150
h	125	125	125	125	125	125	125
k	125	125	125	125	125	125	250
b1	65	80	80	100	100	100	125
b2	65	80	80	100	100	100	125
b3	65	80	80	100	100	100	125
b4	/	80	80	100	100	100	100
f1	65	80	80	100	100	100	100
f2	65	80	80	100	100	100	100
f3	65	80	80	100	100	100	100
m	G3/4"	G3/4"	G3/4"	G3/4"	G3/4"	G3/4"	G3/4"
n	G1/2"	G1/2"	G1/2"	G1/2"	G1/2"	G1/2"	G1/2"
dN	110	110	110	130	140	160	160
h5	1375	1375	1757	1995	2190	2420	2640
夹套口径 公称直径 Jacket Nozzle: DN							
驱动装置 Drive							

注: 1. 计算容积、重量为以下部分容积。  
2. 除 F30000 和 F50000 规格外, 其余支腿形式由用户定制, 如用户无要求, 按耳座制造。  
Notes: 1. Calculated Capacity and Weight are for the following parts.  
2. For F30000 & F50000 reactors, use B type support, others could be determined by users, if no special request, lugs would be normally applied.



# AE 型搪玻璃反应罐

## AE Type Glass-Lined Reactors



设计压力 Design Pressure	MPa	-0.1/0.6	夹套 Jacket	0.6
设计温度 Design Temperature	°C	-19/200		

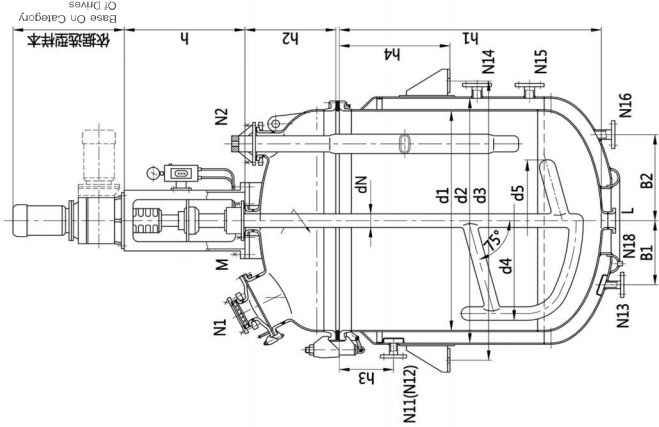
符号 Symbol	用途 Usage
N1	人孔 Manhole
N2	温度计口 Temperature Gauge
N3, N5, N6, N7	工艺口 Process Port
N4	视镜口 Sight Glass
M	搅拌口 Agitator Hubs
L	放料口 Medium Outlet
N11, N12, N13	夹套进(出)口 In/Outlet
N14, N15, N16	夹套喷淋口 Spray Nozzle
N17	排气口 Vent Hole
N18	放净口 Clean Hole

规格 Specifications	AE 1000	AE 1500	AE 2000	AE 3000	AE 4000	AE 5000	AE 6300
公称容积 Nominal Capacity	1000	1500	2000	3000	4000	5000	6300
全容积 Total Capacity	1616	2172	2640	4170	5140	6470	7580
夹套容积 Jacket Capacity	206	300	387	461	774	873	1027
传热面积 Heat Transfer Area	4.55	5.76	7.23	9.33	11.85	13.74	16.43
参考重量 Reference Weight	1820	2280	2535	3555	4055	4940	5560
主要尺寸 Main Dimension	d1	1200	1300	1600	1600	1750	1750
	d2	1300	1450	1450	1750	1750	1900
	d3 <sub>(max)</sub>	1468	1622	1622	1964	1964	2152
	d4	1080	1180	1180	1440	1440	1580
	d5	700	700	700	800	800	850
	h1	1200	1400	1830	1810	2290	2410
	h2	499	523	523	599	599	637
	h3	290	330	330	340	340	340
	h4	600	650	650	700	700	700
	B1	400	400	400	400	400	400
罐体管口公称直径 Nozzles DN	B2	510	510	510	510	510	510
	φ	30	30	30	30	30	30
	M	125	125	125	150	150	150
	L	100	100	100	125	125	125
	N1	300x400	300x400	300x400	300x400	300x400	300x400
	N2	125	125	125	150	150	200
	N3	100	100	100	100	100	125
	N4	100	125	125	125	125	125
	N5	125	125	125	125	125	150
	N6	100	100	100	100	100	125
夹套管口公称直径 Jacket Nozzle DN	N7	100	125	125	125	125	125
	N11	32	40	40	50	50	65
	N12	32	40	40	50	50	65
	N13	32	40	40	50	50	65
	N14	/	/	/	/	/	65
	N15	/	50	50	65	65	65
	N16	/	50	50	65	65	65
	N17	G3/8"	G3/8"	G3/8"	G3/8"	G3/8"	G3/8"
	N18	G1/2"	G1/2"	G1/2"	G1/2"	G1/2"	G1/2"
	dN	80	80	80	95	95	95
驱动装置 Drive	h	720	720	720	815	815	815

注：支腿型式由用户定制确定，如用户无要求，按目视标准。  
Notes: Support types could be determined by users. If no special request, legs would be normally supplied.

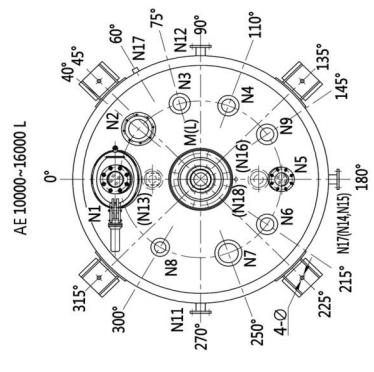
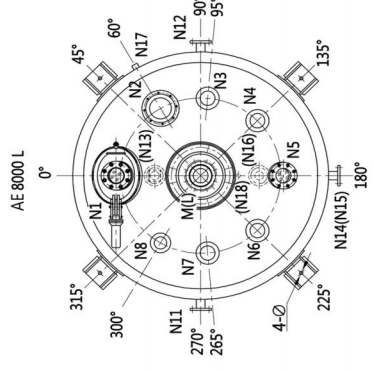
# AE 型搪玻璃反应罐

## AE Type Glass-Lined Reactors



设计压力 Design Pressure	MPa	0.2	罐内 Inner Vessel	平套 Jacket
设计温度 Design Temperature	°C	-19/200		
				-19/200

符号 Symbol	用途 Usage
N1	人孔 Manhole
N2	温度计口 Thermowell Pocket
N3, N4, N6, N7, N8, N9	工艺口 Spare Nozzle
N5	视镜口 Sightglass
N9	加料口 Medium Inlet
M	搅拌口 Agitator Hole
L	放料口 Medium Outlet
N11, N12, N13	夹套进(出)口 Inlet/Outlet
N14, N15, N16	夹套喷嘴口 Spray Nozzle
N17	排气口 Vent Hole
N18	放净口 Clean Hole

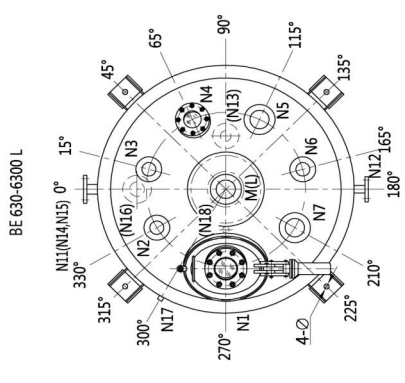
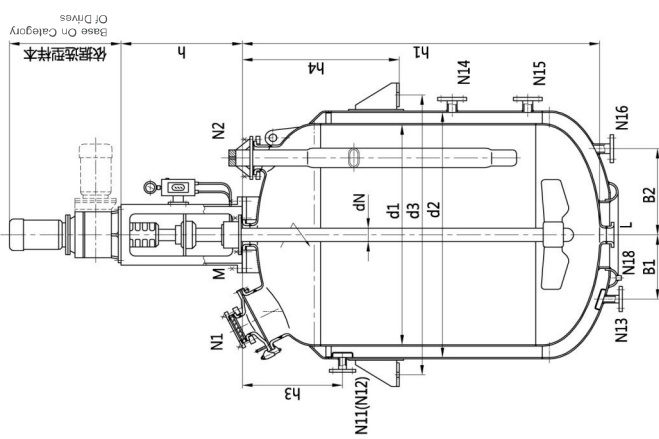


规格 Specifications	AE 8000	AE 10000	AE 12500	AE 16000	
公称容积 Nominal Capacity (L)	8000	10000	12500	16000	
全容积 Total Capacity (L)	10190	12750	15250	18493	
夹套容积 Jacket Capacity (L)	1724	1940	2324	2500	
换热面积 Heat Transfer Area (m <sup>2</sup> )	19.6	21.54	26.5	28.0	
参考重量 Reference Weight (kg)	7810	8720	10155	11700	
主要尺寸 Main Dimension	d1	2000	2200	2400	
	d2	2200	2400	2600	
	d3 <sub>total</sub>	2452	2704	2704	2908
	h1	3000	3060	3720	3740
	h3	380	400	400	460
	h4	830	850	850	900
	B1	400	470	470	470
	B2	510	550	550	550
	φ	30	36	36	36
	M	200	200	200	200
罐体管口公称直径 Nozzle-DN	L	125	150	150	
	N1	300x400	300x400	300x400	450
	N2	200	200	200	200
	N3	150	150	150	150
	N4	150	150	150	150
	N5	125	125	125	125
	N6	150	150	150	150
	N7	150	200	200	200
	N8	125	125	125	125
	N9	/	150	150	150
夹套管口公称直径 Jacket Nozzle-DN	N11	65	80	80	100
	N12	65	80	80	100
	N13	65	80	80	100
	N14	65	80	80	100
	N15	65	80	80	100
	N16	65	80	80	100
	N17	G3/4"	G3/4"	G3/4"	G3/4"
	N18	G1/2"	G1/2"	G1/2"	G1/2"
	dN	110	110	110	130
	h	860	860	860	820
驱动装置 Drive					

注：夹套型式由用户定装确定，如用户无要求，按互破标准。  
Notes: Support types could be determined by users, if no special request, lugs would be normally applied.

# BE 型搪玻璃反应罐

## BE Type Glass-Lined Reactors



设计压力 Design Pressure	MPa	0.6
设计温度 Design Temperature	°C	-19/200
罐内 Inner Vessel		夹套 Jacket
	-0.1/0.6	0.6
	-19/200	-19/200

符号 Symbol	用途 Usage
N1	人孔 Manhole
N2	温度计口 Thermowell Pocket
N3, N5, N6, N7	工艺口 Spare nozzle
N4	视镜口 Sightglass
M	搅拌口 Agitator Hole
L	放料口 Main Outlet
N11, N12, N13	夹套进(出)口 In/Outlet
N14, N15, N16	夹套喷嘴口 Spiral Nozzle
N17	排气口 Vent hole
N18	放净口 Clean-in-place

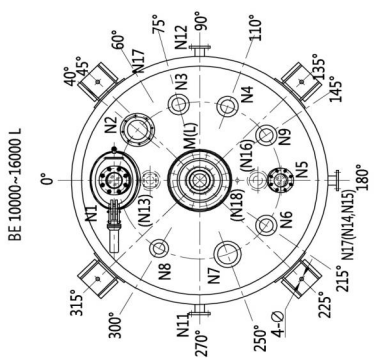
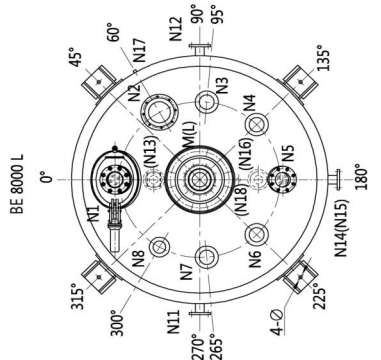
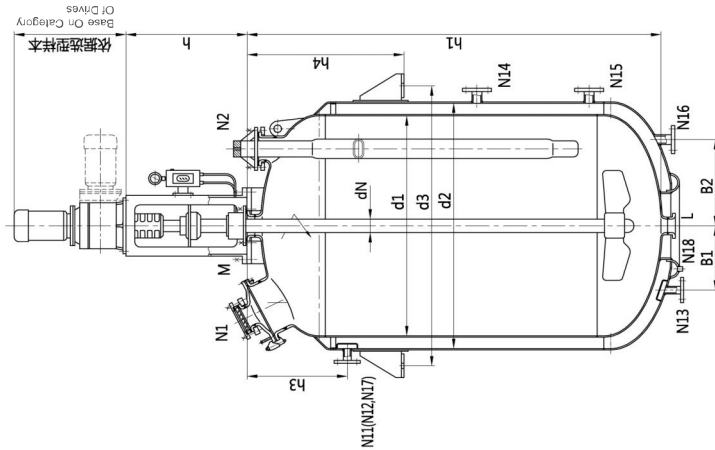
规格 Specifications	BE 630	BE 1000	BE 1500	BE 2000	BE 3000	BE 4000	BE 5000	BE 6300	
公称容积 Nominal Capacity (L)	630	1000	1500	2000	3000	4000	5000	6300	
全容积 Total Capacity (L)	890	1470	2130	2575	3811	4780	6040	6900	
夹套容积 Jacket Capacity (L)	147	206	301	390	495	805	898	1015	
换热面积 Heat Exchange Area (m²)	3.35	4.55	5.92	7.31	9.98	12.44	14.06	16.36	
参考重量 Reference Weight (kg)	1055	1865	1963	2175	3205	3522	4580	5060	
主 要 尺 寸 Main Dimension	d1	1000	1200	1300	1600	1600	1750	1750	
	d2	1100	1300	1450	1450	1750	1900	1900	
	d3 <sub>(Inress)</sub>	1276	1477	1655	1655	1956	2152	2152	
	h1	1385	1550	1766	2131	2250	2730	2888	
	h3	595	650	699	699	700	700	750	
	h4	815	910	940	940	1060	1060	1200	
	B1	400	400	400	400	400	400	400	
	B2	/	/	510	510	510	510	510	
	φ	30	30	30	30	30	30	30	
	M	125	125	125	125	150	150	150	
罐 体 管 口 公 称 直 径 Nozzle DN	L	100	100	100	100	125	125	125	
	N1	300x400	300x400	300x400	300x400	350x450	350x450	350x450	
	N2	100	125	125	125	150	150	200	
	N3	100	100	100	100	100	100	125	
	N4	100	100	125	125	125	125	125	
	N5	100	125	125	125	125	125	150	
	N6	100	100	100	100	100	100	125	
	N7	100	100	125	125	125	125	125	
	N11	32	32	40	40	50	50	65	
	N12	32	32	40	40	50	50	65	
夹套管口 公称直径 Jacket Nozzle DN	N13	32	32	40	40	50	65	65	
	N14	/	/	/	/	/	/	65	
	N15	/	/	50	50	65	65	65	
	N16	/	/	50	50	65	65	65	
	N17	G3/8"	G3/8"	G3/8"	G3/8"	G3/8"	G3/8"	G3/8"	
	N18	G1/2"	G1/2"	G1/2"	G1/2"	G1/2"	G1/2"	G1/2"	
	dN	65	80	80	80	95	95	95	
	h	680	720	720	720	815	815	815	
	驱动装置 Drive								

注：支撑型式由用户定制确定，如用户无要求，按耳座制/定。  
Notes: Support types could be determined by users, if no special request, legs would be normally applies.



# BE 型搪玻璃反应罐

## BE Type Glass-Lined Reactors



设计压力 Design Pressure	MPa	罐内 Inner Vessel	夹套 Jacket
设计温度 Design Temperature	°C	-0.1/0.6	-19/200

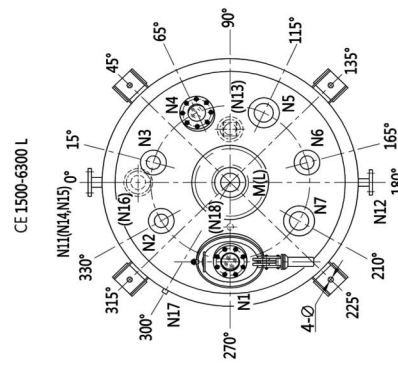
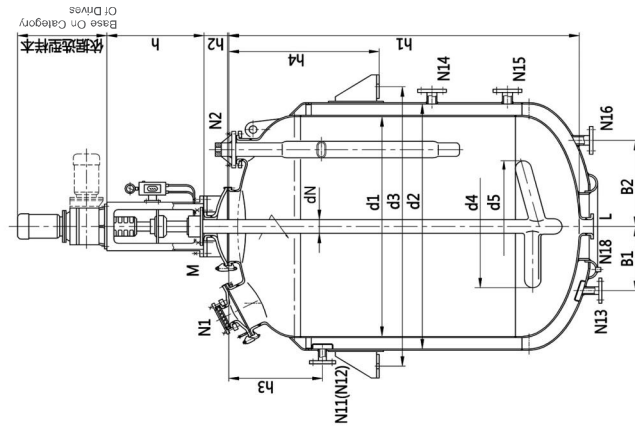
符号 Symbol	用途 Usage
N1	人孔 Manhole
N2	温度计口 Thermowell Portlet
N3, N4, N6, N7, N8, N9	工艺口 Spargers Nozzle
N5	视镜口 Sightglass
M	搅拌口 Agitator Hole
L	放料口 Medium Outlet
N11, N12, N13	夹套进(出)口 In/Outlet
N14, N15, N16	夹套喷嘴口 Spray Nozzle
N17	排气口 Vent Hole
N18	放净口 Clean Hulp

规格 Specifications	BE 8000	BE 10000	BE 12500	BE 16000
公称容积 Nominal Capacity (L)	8000	10000	12500	16000
全容积 Total Capacity (L)	9105	11719	13696	17491
夹套容积 Jacket Capacity (L)	1666	1940	2243	2951
换热面积 Heat Transfer Area (m <sup>2</sup> )	18.38	21.35	24.89	29.48
参考重量 Reference Weight (kg)	6718	7670	9101	10954
主要尺寸 Main Dimension	d1	2000	2200	2400
	d2	2200	2400	2600
	d3 (H=100)	2452	2703	2703
	h1	3320	3543	4063
罐体管口公称直径 Nozzle DN	h3	860	910	910
	h4	1210	1310	1310
	B1	400	470	470
	B2	510	550	550
	φ	30	36	36
	M	200	200	200
	L	125	150	150
	N1	500	500	500
	N2	200	200	200
	N3	150	150	150
	N4	150	150	150
	N5	125	125	125
	N6	150	150	150
	N7	150	200	200
N8	125	125	125	
N9	/	150	150	
夹套管口公称直径 Jacket Nozzle DN	N11	65	80	80
	N12	65	80	80
	N13	65	80	80
	N14	65	80	80
	N15	65	80	80
	N16	65	80	80
	N17	G3/4"	G3/4"	G3/4"
	N18	G1/2"	G1/2"	G1/2"
驱动装置 Drive	dN	110	110	130
	h	860	860	820

注：支链型式由用户在确定，如用户无要求，按耳座制。 Notes: Support types could be determined by users, if no special request, lugs would be normally applied.

# CE 型搪玻璃反应罐

## CE Type Glass-Lined Reactors



设计压力 Design Pressure	MPa	罐内 Inner Vessel	夹套 Jacket
设计温度 Design Temperature	°C	-0.1/0.6	0.6
		-19/200	-19/200

符号 Symbol	用途 Usage
N1	人孔 Manhole
N2	视镜口 Thermowell Pocket
N3,N5,N6,N7	工艺口 Stirrer Nozzle
N4	视镜口 Sight Glass
M	搅拌口 Agitator Hole
L	放料口 Medium Outlet
N11, N12, N13	夹套进(出)口 In/Outlet
N14, N15, N16	夹套喷嘴口 Spray/Nozzle
N17	排气口 Vent Hole
N18	放净口 Clean Hole

规格 Specifications	CE 1500	CE 2000	CE 3000	CE 4000	CE 5000	CE 6300
公称容积 Nominal Capacity	1500	2000	3000	4000	5000	6300
全容积 Total Capacity	2020	2470	3860	4795	6040	6900
夹套容积 Jacket Capacity	301	390	495	805	898	1015
换热面积 Heat Transfer Area	5.92	7.31	9.98	12.44	14.06	16.36
参考重量 Reference Weight	2120	2380	3360	3905	4720	5200
主要尺寸 Main Dimension	d1	1300	1600	1600	1750	1750
	d2	1450	1450	1750	1750	1900
	d3(vent)	1622	1622	1964	1964	2152
	d4	680	680	720	720	720
	d5	700	700	800	800	850
	h1	1801	2136	2250	2730	2888
	h2	190	190	190	190	190
	h3	725	725	700	700	750
	h4	975	975	1060	1060	1200
	B1	400	400	400	400	400
罐体管口公称直径 Nozzle DN	B2	510	510	510	510	510
	φ	30	30	30	30	30
	M	125	125	150	150	150
	L	100	100	125	125	125
	N1	300x400	300x400	300x400	300x400	300x400
	N2	125	125	150	150	200
	N3	100	100	100	100	125
	N4	125	125	125	125	125
	N5	125	125	125	125	150
	N6	100	100	100	100	125
夹套管口公称直径 Jacket Nozzle DN	N7	125	125	125	125	125
	N11	40	40	50	50	65
	N12	40	40	50	50	65
	N13	40	40	50	50	65
	N14	/	/	/	/	65
	N15	50	50	65	65	65
	N16	50	50	65	65	65
	N17	G3/8"	G3/8"	G3/8"	G3/8"	G3/8"
	N18	G1/2"	G1/2"	G1/2"	G1/2"	G1/2"
	dN	80	80	95	95	95
驱动装置 Drive	h	720	720	815	815	815

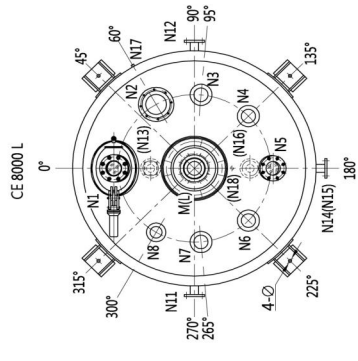
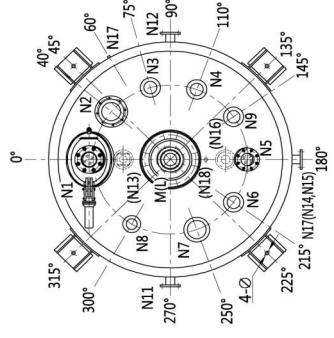
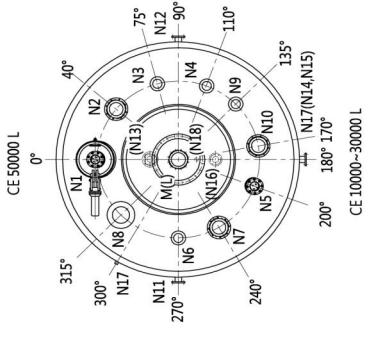
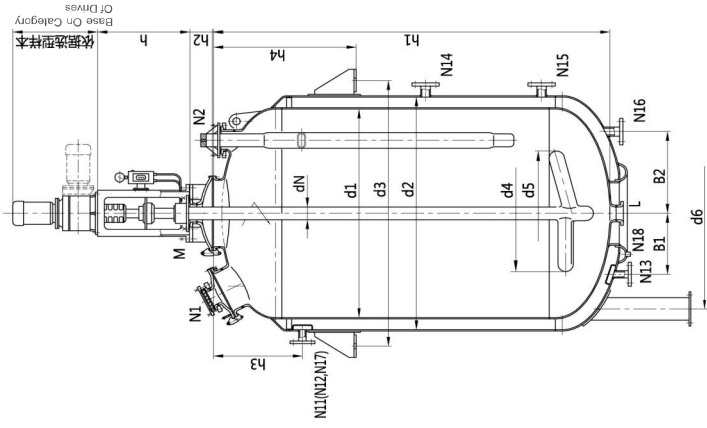
注：支撑型式由用户程序确定，如用户无要求，按图例制定。  
Notes: Support types could be determined by users, if no special request, figure would be normally applied.

# CE 型搪玻璃反应罐

## CE Type Glass-Lined Reactors

设计压力 Design Pressure	MPa	夹套 Jacket
设计温度 Design Temperature	°C	夹套 Jacket
	-0.1/0.6	0.6
	-19/200	-19/200

符号 Symbol	用途 Usage
N1	人孔 Manhole
N2	温度计口 Thermowell Pocket
N3, N4, N6, N7, N8, N9	加料口 Medium Inlet
N5	视镜口 Sight Glass
M	搅拌口 Agitator Hole
L	放料口 Medium Outlet
N11, N12, N13	夹套进(出)口 In/Outlet
N14, N15, N16	夹套取液口 Slurry Nozzle
N17	排气口 Vent Hole
N18	放空口 Clean Hubs

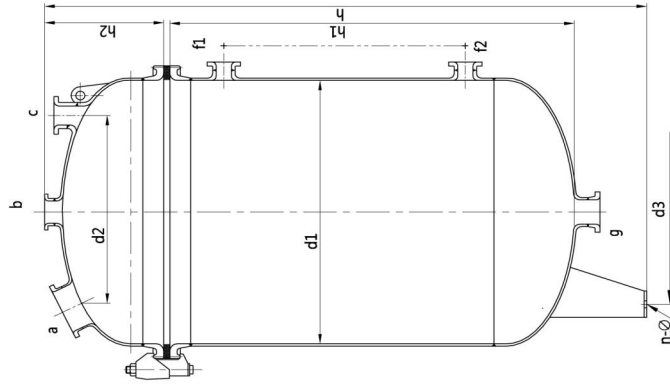


规格 Specifications	CE 8000	CE 10000	CE 12500	CE 16000	CE 20000	CE 30000	CE 50000
公称容积 Nominal Capacity	8000	10000	12500	16000	20000	30000	50000
全容积 Total Capacity	9105	11719	13696	17491	21835	33645	56444
夹套容积 Jacket Capacity	1666	1940	2243	2551	2870	3700	4520
换热面积 Heat Exchanging Area	18.38	21.35	24.89	29.48	34.04	45	34.04
参考重量 Reference Weight	6959	7911	9342	11222	13530	19270	34590
d1	2000	2200	2200	2400	2600	3000	3800
d2	2200	2400	2400	2600	2800	3200	4000
d3 (hava)	2452	2703	2703	2908	3179	/	/
d4	880	980	980	980	1080	1300	1600
d5	1100	1200	1200	1200	1300	/	1600
d6 (hava)	/	/	/	/	/	2300	2680
h1	3310	3533	4053	4346	4641	5340	5611
h2	210	210	210	210	210	260	647
h3	850	900	900	950	1000	1150	1340
h4	1200	1300	1300	1400	1550	/	/
B1	400	470	470	470	470	470	470
B2	510	550	550	550	550	550	550
φ	30	36	36	36	36	/	/
M	200	200	200	200	250	250	250
L	125	150	150	150	150	150	150
N1	300x400	300x400	300x400	450	450	450	450
N2	200	200	200	200	200	200	200
N3	150	150	150	150	150	150	150
N4	150	150	150	150	150	150	150
N5	125	125	125	125	125	125	125
N6	150	150	150	150	150	150	150
N7	150	200	200	200	200	200	200
N8	125	125	125	125	125	125	250
N9	/	150	150	150	150	150	150
N10	/	/	/	/	/	/	200
N11	65	80	80	100	100	100	125
N12	65	80	80	100	100	100	125
N13	65	80	80	100	100	100	125
N14	65	80	80	100	100	100	100
N15	65	80	80	100	100	100	100
N16	65	80	80	100	100	100	100
N17	G3/4"	G3/4"	G3/4"	G3/4"	G3/4"	G3/4"	G3/4"
N18	G1/2"	G1/2"	G1/2"	G1/2"	G1/2"	G1/2"	G1/2"
dN	110	110	110	130	140	160	160
h	860	860	860	820	1100	1200	1200

注：除 CE50000 及 CE50000 规格支撑方式为 B 型支撑式支撑，其余支撑方式由用户指定。如用户无要求，按耳座固定。  
Notes: CE50000 & CE50000 reactors use B type support, others could be determined by users. If no special request, legs would be normally applied.

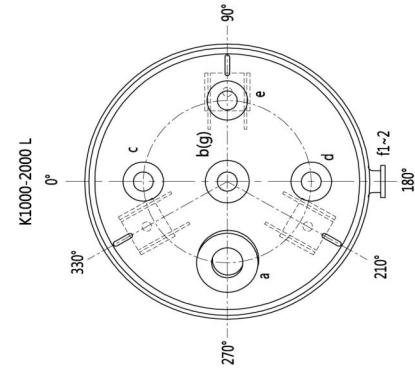
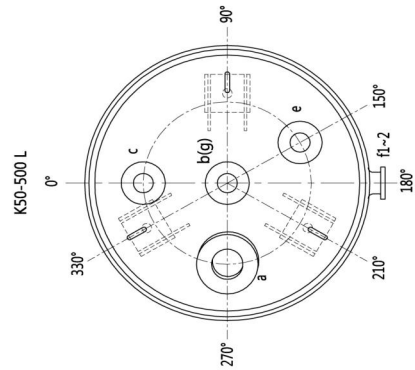
# 开式搪玻璃贮罐

## K Type Glass-Lined Storage Tanks (Vertical)



设计压力 Design Pressure	MPa	罐内 Inner vessel	常压 ATM
设计温度 Design Temperature	°C		-19/150

符号 Symbol	用途 Usage
a	手孔 (人孔) Handhole (Manhole)
b	进料口 Manhole Inlet
c, d, e	备用口 Spare
f1, f2	液位计口 Level Gauge Inlet
g	放料口 Discharge Outlet



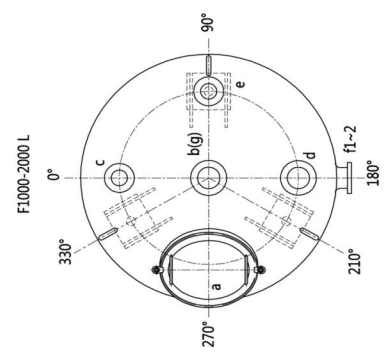
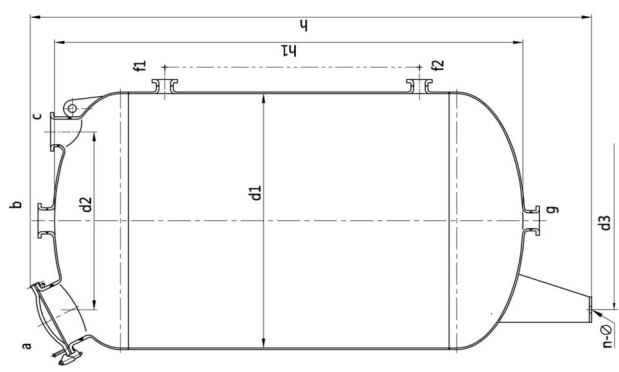
单位 (Unit) : mm

规格 Specifications	K 50	K 100	K 200	K 300	K 500	K 1000	K 1500	K 2000
公称容积 Nominal Capacity (L)	50	100	200	300	500	1000	1500	2000
全容积 Total Capacity (L)	80	155	294	447	740	1480	2020	2800
计算容积 (注1) Calculate Capacity (Note 1) (L)	61	121	237	362	620	1270	1670	2370
参考重量 Reference Weight (kg)	95	160	210	285	395	716	970	1266
d1	400	500	600	700	800	1000	1200	1300
d2	320	350	420	420	480	600	720	780
d3	280	350	420	490	560	700	700	910
h1	520	660	890	1000	1310	1695	1580	1895
h2	249	274	309	334	390	439	490	514
h	1150	1095	1340	1750	1885	2310	2240	2670
n-φ	3-φ15	3-φ20	3-φ20	3-φ25	3-φ25	3-φ25	3-φ25	3-φ25
a	80	100	125	125	150	150	200	300x400
b	65	65	65	80	80	80	100	100
c	65	65	65	65	80	80	80	80
d	/	/	/	/	/	/	80	80
e	65	65	65	65	65	80	80	80
f1	/	65	65	65	65	65	65	65
f2	/	65	65	65	65	65	65	65
g	65	65	65	80	80	80	100	100

罐体管口公称直径  
Nozzle DN

注: 1. 计算容积: 高颈法兰以下部分的容积。  
Notes: 1. Calculate Capacity: Volume under high-neck flange

## 闭式搪玻璃贮罐 F Type Glass-Lined Storage Tanks(Vertical)



设计压力 Design Pressure	MPa	罐内 Inner Pressure	常压 ATM
设计温度 Design Temperature	°C		-19/150

符号 Symbol	用途 Usage
a	人孔 Manhole
b	进料口 Medium Inlet
c,d,e	备用口 Spare
f1,f2	液位计口 Level Gauge Hole
g	放料口 Medium Outlet

规格 Specifications	F1000	F1500	F2000
公称容积 Nominal Capacity (L)	1000	1500	2000
全容积 Total Capacity (L)	1300	1674	2337
参考重量 Reference Weight (kg)	600	810	972
<b>主 要 尺 寸</b> Main Dimension			
d1	1000	1200	1300
d2	600	720	780
d3	700	840	950
h1	1820	1680	1978
h	2300	2120	2450
n-φ	3-φ24	3-φ24	3-φ24
<b>罐 体 管 口 公 称 直 径</b> Nozzle DN			
a	300x400	300x400	300x400
b	80	80	80
c	80	80	100
d	80	80	/
e	80	80	80
f1	65	65	65
f2	65	65	65
g	80	100	100

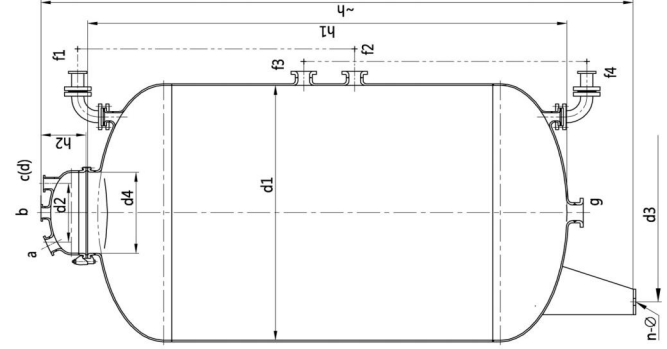
单位 (Unit) : mm

## F Type Glass-Lined Storage Tanks (Vertical)

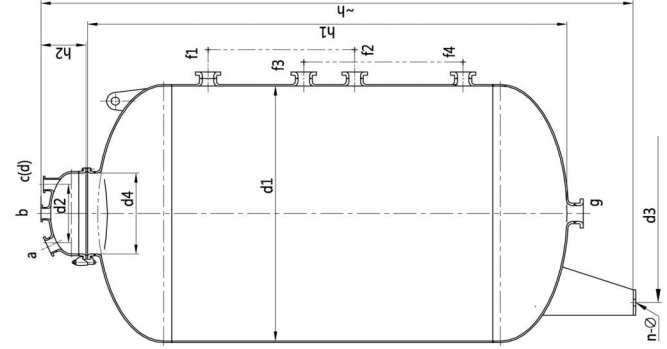
## 闭式搪玻璃贮罐

单位 (Unit) : mm

规格 Specifications	F3000	F5000	F6300	F8000	F10000	F12500	F16000	F20000	F30000	F40000	F50000
公称容积 Nominal Capacity (L)	3000	5000	6300	8000	10000	12500	16000	20000	30000	40000	50000
全容积 Total Capacity (L)	3796	5740	7100	8990	11270	13970	17821	22346	33553	44000	55000
参考重量 Reference Weight (kg)	1543	1910	2980	3525	4380	5530	6670	8324	11720	15450	19300
主 要 尺 寸 Main Dimension	d1	1600	1750	1900	2200	2400	2400	2600	3000	3200	3400
	d2	420	420	420	420	420	420	420	420	480	480
	d3	1200	1200	1300	1400	1650	1800	1950	2250	2400	2550
	d4	600	600	600	600	700	700	700	700	800	800
罐 体 管 口 公 称 直 径 Nozzle DN	h1	2220	3174	3304	3554	3392	4414	4714	5340	6125	6755
	h2	314	314	314	314	354	354	354	354	386	386
	h	2850	3790	3910	4185	4040	4207	5060	5400	6870	7500
	n-φ	4-φ30	4-φ30	4-φ30	4-φ30	4-φ30	4-φ36	4-φ36	4-φ36	4-φ36	4-φ36
罐 体 管 口 公 称 直 径 Nozzle DN	a	125	125	125	125	125	125	125	125	125	125
	b	65	65	65	65	80	80	80	80	80	80
	c	65	65	65	65	65	65	65	65	65	65
	d	65	65	65	65	65	65	65	65	65	65
罐 体 管 口 公 称 直 径 Nozzle DN	f1	65	65	65	65	65	65	65	65	80	80
	f2	65	65	65	65	65	65	65	65	80	80
	f3	/	65	/	/	/	/	/	65	65	65
	f4	/	65	/	/	/	/	/	65	65	65
g	125	125	125	125	125	125	125	125	125	150	150



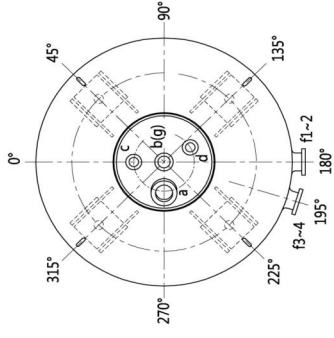
F8000-50000 L



F3000-6500 L

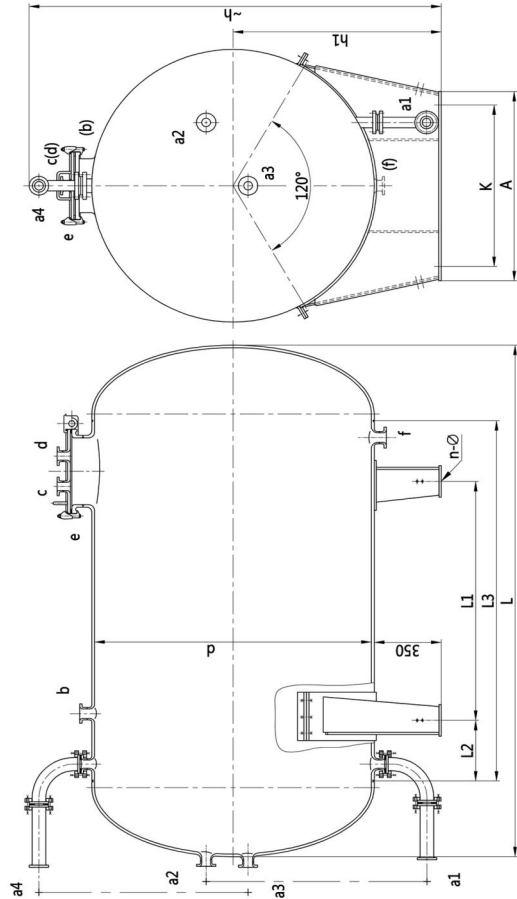
设计压力 Design Pressure	MPa	常压 ATM
设计温度 Design Temperature	°C	-19/150
罐内 Inner Vessel	常压 ATM	

符号 Symbol	用途 Usage
a	手孔 Handhole
b	进料口 Material Inlet
c,d	备用口 Spare
f1,f2,f3,f4	液位计口 Level Gauge Hub
g	放料口 Medium Outlet



# 卧式搪玻璃贮罐

## Horizontal Glass-Lined Storage Tanks



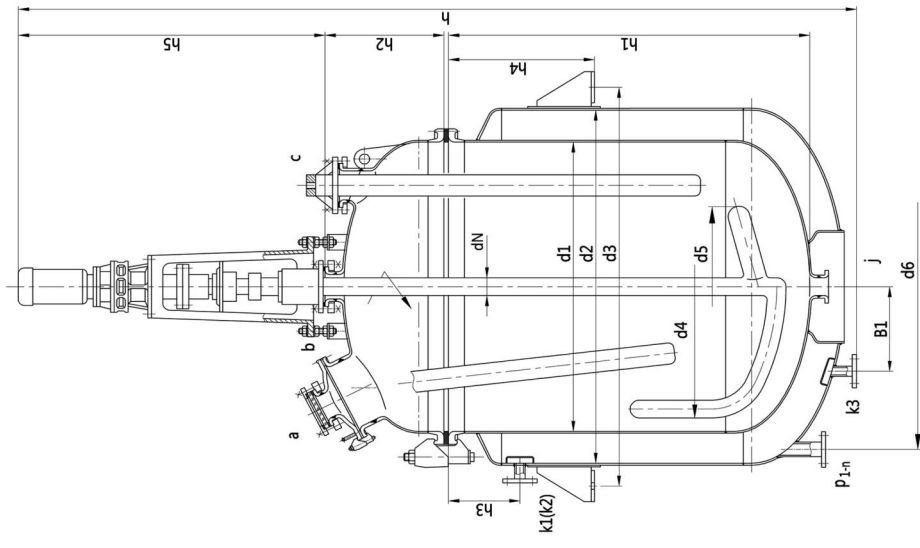
符号 Symbol	用途 Usage
a1,a2,a3,a4	液位计口 Level Gauge Inlet
b	进料口 Medium Inlet
c,d	备用口 Spare
e	人孔 Manhole
f	放料口 Medium Outlet

罐内 Inner Vessel	常压 Atm
设计压力 Design Pressure	MPa
设计温度 Design Temperature	°C
	-19/150

规格 Specifications	W3000	W4000	W5000	W6300	W8000	V10000	V12500	V16000	W20000	W30000	V40000	W50000	W80000	
公称容积 Nominal Capacity (L)	3000	4000	5000	6300	8000	10000	12500	16000	20000	30000	40000	50000	80000	
全容积 Total Capacity (L)	3337	4457	5550	7024	8913	11094	13915	17689	22332	33420	43310	55020	87933	
参考重量 Reference Weight (kg)	1681	2050	2250	3230	3750	4790	5690	6530	8240	12300	15000	19730	32000	
主要尺寸 Main Dimension	d	1450	1450	1600	1750	1900	2000	2200	2400	3000	3000	3400	3600	
	h1	1089	1089	1166	1243	1318	1370	1470	1572	1876	1876	2080	2284	
	h	2146	2146	2300	2454	2604	2704	2870	3100	3700	3700	4110	4510	
	L1	814	1494	1420	1474	1590	1880	2740	2930	2370	3770	3830	4290	
	L2	320	320	360	390	420	450	470	500	550	630	650	750	
	L3	1454	2134	2140	2254	2430	2780	3680	3840	4030	3630	5630	4830	6390
	L	2288	2968	3032	3246	3496	3920	4600	5060	5374	5262	6682	6630	8433
	K	900	900	960	1120	1200	1250	1260	1380	1520	1940	1940	2200	2500
	A	1060	1060	1120	1280	1360	1420	1420	1580	1720	2180	2180	2480	2780
	n-φ	4-φ24	4-φ24	4-φ24	4-φ24	4-φ24	4-φ24	4-φ24	4-φ24	4-φ24	4-φ28	4-φ28	4-φ28	4-φ28
a1	65	65	65	65	65	65	65	65	65	65	65	65	80	
a2	65	65	65	65	65	65	65	65	65	65	65	65	80	
a3	65	65	65	65	65	65	65	65	65	65	65	65	80	
a4	65	65	65	65	65	65	65	65	65	65	65	65	80	
b	80	80	80	80	80	80	80	80	80	80	80	80	150	
c	65	65	65	65	65	65	65	65	65	65	65	65	80	
d	65	65	65	65	65	65	65	65	65	65	65	65	80	
e	300x400	300x400	300x400	300x400	300x400	300x400	300x400	300x400	300x400	300x400	300x400	300x400	450	
f	80	80	80	80	80	80	80	80	80	80	80	80	150	

# 搪玻璃电加热反应罐

Glass-Lined Reactors With Electric Heating



设计压力 Design Pressure	MPa	0.4/0.6/1.0
设计温度 Design Temperature	°C	-19/200

罐内 Inner Vessel	夹套 Jacket	用途 Usage
0.4/0.6/1.0	常压 AT/II	电加热口 Electric Heater Joint
-19/200	-19/200	与同规格开式搪玻璃反应罐口用途一致 Others: a,b,c,..... Nozzles usage referring to the same spec. of K type glass-lined reactors

规格 Specifications	K 50	K 100	K 200	K 300	K 500	K 1000	K 1500	K 2000	K 3000	K 4000	K 5000
公称容积 Nominal Capacity (L)	50	100	200	300	500	1000	1500	2000	3000	4000	5000
全容积 Total Capacity (L)	102	180	325	483	743	1616	2172	2640	4170	5140	6470
计算容积(注1) Calculable Capacity(Notes.1) (L)	71	128	247	369	588	1244	1714	2180	3370	4334	5443
夹套容积 Jacket Capacity (L)	84	115	174	218	307	476	300	387	461	774	873
换热面积 Heat Exchange Area (m <sup>2</sup> )	0.34	0.66	1.26	1.75	2.64	4.55	5.76	7.23	9.33	11.85	13.74
参考重量 Reference Weight (kg)	446	527	697	966	1174	1885	2280	2535	3555	4055	4940
主 要 尺 寸 Main Dimension	d1	500	600	700	800	900	1200	1300	1600	1600	1750
	d2	700	800	900	1000	1100	1400	1450	1750	1750	1900
	d3	809	918	1028	1130	1230	1571	1622	1964	1964	2152
	d6	608	708	810	910	1010	1312	1389	1690	1690	1840
	h	1835	1980	2245	2595	3035	3700	4050	4210	4650	4820
罐体管口 公称直径 Nozzle DN	与同规格开式搪玻璃反应罐罐体尺寸一致 Same as spec. of K type glass-lined reactors										
夹套管口 公称直径 Jacket Nozzle DN	与同规格开式搪玻璃反应罐夹套接管一致 Jacket connecting nozzles referring to the same spec. of K type glass-lined reactors										
	p	65	65	65	65	65	65	65	65	65	65
	p1-n	p1-4	p1-6	p1-6	p1-6	p1-9	p1-12	p1-12	p1-12	p1-15	p1-18
驱动装置 Drive	与同规格开式搪玻璃反应罐管口一致 Nozzles size referring to same spec. of K type glass-lined reactors										
	dN	40	40	50	65	80	80	80	80	95	95
	h5	950	950	953	1170	1170	1320	1320	1360	1360	1360

注：计算容积，高颈法兰以下部分的容积。  
Notes: 1. Calculate Capacity: Volume under high neck flange

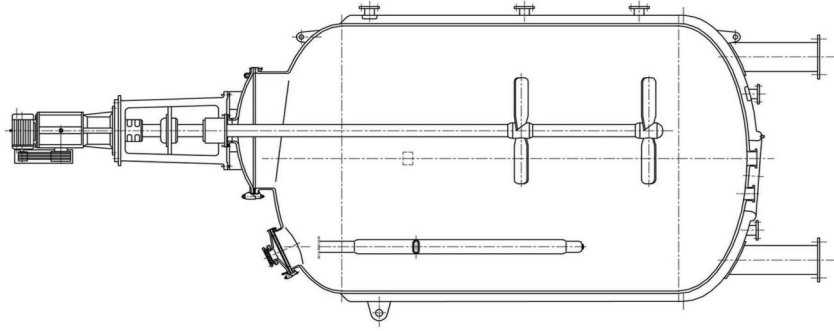


## 偏心搪玻璃搅拌罐

Eccentric Glass-Lined Agitator Vessels

适用于固液悬浮操作（聚合、结晶、浸析等）及混合相互不溶解的液体等工艺操作，其优点：

- 一. 偏心搅拌能改善流体的流型，提高流体速度，尤其是轴向速度；与此同时，偏心搅拌能增强悬浮效果，提高固相浓度的均匀分布程度。
  - 二. 偏心搅拌具有节能功效。
  - 三. 容器内可不设挡板。
- 流型及悬浮效果改善的程度与偏心率有关，要根据工艺条件确定，其设计是关键。



Applies to the solid-liquid suspending operation (polymerization, crystallization, leaching, etc.) and mix liquids which can not dissolve mutually, and its advantages:

- I. Eccentric agitator can improve the flow pattern of the fluid and the fluid velocity, especially the axial velocity. At the same time, the eccentric agitator can enhance the suspension effect and improve the degree of uniform distribution of solid concentration.
- II. Eccentric agitator can save energy.
- III. Baffle is not necessary in the vessel.

The degree of improvement of the flow pattern and suspension effect is relevant to the eccentricity. It should be determined in accordance with the process conditions, and the design is the key.

## GMP 搪玻璃设备

Glass-Lined Equipments Complying With GMP

符合GMP要求的搪玻璃设备，所有的配件精心设计，整机调试出厂，是无菌室、制药、食品行业的首选。  
For glass-lined equipments complying with GMP requirement, all the accessories are designed elaborately, and they are dispatched from factory after overall commissioning. It is the first choice for sterile room, pharmacy and food industry.



### ● 搪玻璃外包不锈钢设备：

符合GMP要求的搪玻璃设备，内筒搪玻璃，外层保温后外包不锈钢。可以根据用户的要求对表面进行镜面抛光或亚光处理。

### ● Glass-Lined Equipment Insulated With SS Cover:

It complies with GMP requirement with glass-lined inside of the vessel and insulated with ss cover after heat preservation. Mirror polishing or matte finishing could be applied to the surface according to customer's requirement.

### ● 不锈钢搪玻璃设备：

不锈钢搪玻璃设备是以304或316L为基体材料进行搪瓷的设备。它可以完全避免铁离子对物料的污染。可以应用在更为严格的GMP场合。设备上面的法兰盖及卡子均为不锈钢材质。外表面可以按照用户的要求做保温处理。

### ● Stainless Steel Glass-Lined Equipment:

Stainless steel glass-lined equipment is glass lined with 304 or 316L as the base material. It can completely avoid the contamination to the medium from iron ion. It can be applied in more strict GMP condition. The split flanges and clamps are both stainless steel and the outside surface could be made insulation according to customer's requirement.



## 搪玻璃塔器

Glass-Lined Columns

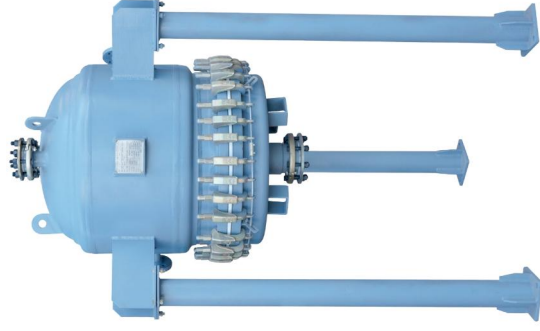


在制作搪玻璃塔器方面，我们多年积累了丰富的经验。我们可以根据客户不同的要求，对搪玻璃塔进行专门设计制作。搪玻璃塔器，可以选择带夹套型和不带夹套型。塔过滤器可以根据操作条件选择搪玻璃过滤器、四氟过滤器及玻璃钢过滤器。

We have very rich experience in fabricating glass-lined columns and we can give special design and fabrication as per customer's different requirement. Glass-lined column can be with jacket or non-jacket and customer can choose glass-lined filter plate, PTFE filter plate or glass fiber reinforced plastic filter plate as per their operation condition.

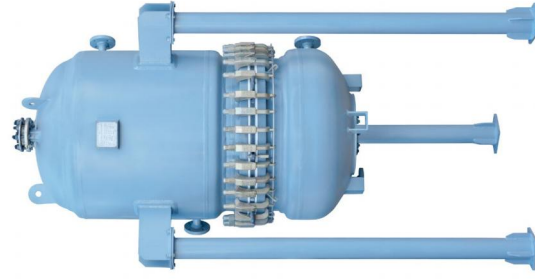
## 搪玻璃过滤器

Glass-Lined Filters



搪玻璃过滤器，被广泛应用于腐蚀性物料的固液分离，尤其在有毒介质、易燃易爆的介质及避免与空气接触介质的固液分离。它可以在全真空或最大正压6kg下工作。设备的夹套可以根据需要对滤液进行加热或冷却。过滤器的底部，可以采用液压升降装置，来帮助清除滤饼和更换滤布。

Glass-lined filter is widely used for solid-liquid separation of corrosive medium especially for the poisonous medium, flammable and explosive medium as well as the medium which can not contact with the air. It can work under full vacuum or max pressure 6kg. The jacket of the filter can be used to heat or cool the filter liquid according to customer's different requirement and the bottom of the filter can adopt hydraulic lifting device to help remove the filter cake and replace filter cloth.



## 搪玻璃列管式换热器

Glass-Lined Shell And Tube Heating Exchangers

我厂研制的新型搪玻璃列管式换热器，它具有换热效率高，体积小，应用范围广等优点。可用于腐蚀性物料的冷却和加热。

Our new developed glass-lined shell and tube heating exchanger has the advantage of high thermal efficiency, small volume and wide range of application, etc. It can be used for corrosive medium heating and cooling.



设计压力 Design Pressure	壳程 Shell Side	管程 Tube Side	夹套 Jacket
MPa	-0.1/0.4	-0.1/0.4	-0.1/0.4
设计温度 Design Temperature	℃	-19/200	-19/200

规格 Specifications	换热管长度 Length Of Heat Exchanger Tubes	换热管根数 Amount Of Heat Exchanger Tubes	管程换热面积 Tube Heat Exchange Area m <sup>2</sup>	壳程换热面积 Shell Heat Exchange Area m <sup>2</sup>	夹套换热面积 Jacket Heat Exchange Area m <sup>2</sup>	总换热面积 Total Heat Exchange Area m <sup>2</sup>	总长 Total Length
φ219	900	7	0.75	0.48	1.23	~1650	
φ273	900	13	1.4	0.6	2.0	~1660	
φ325	900	19	2.04	0.61	2.65	~1700	
φ325	1100	19	2.5	0.82	3.32	~1900	
φ400	1100	31	4.07	1.16	5.23	~2125	
φ400	1300	31	4.81	1.42	6.23	~2325	
φ450	1100	42	5.52	1.32	6.84	~2140	
φ450	1300	42	6.52	1.61	8.13	~2340	
φ500	1300	55	8.54	1.64	10.18	~2360	
φ500	2000	55	13.13	2.77	15.9	~3060	
φ600	2000	73	17.42	3.44	20.86	~3170	
φ700	2000	109	25.94	4.16	30.1	~3245	
φ800	2000	151	35.93	4.79	40.72	~3270	

## 不锈钢压力容器

Stainless Steel Pressure Vessels

不锈钢压力容器  
Stainless Steel Pressure Vessels

我们公司还可根据用户的要求设计，制作不锈钢、钛钢等各种非标准压力容器。

We are in a position to manufacture non-standard pressure vessels which are made of stainless steel, titanium steel, etc according to specific requirements of customers.



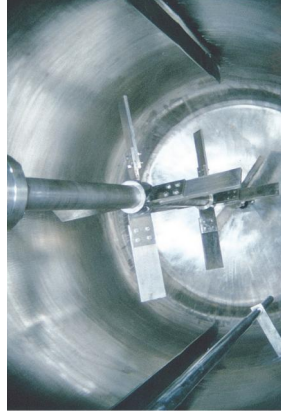
不锈钢列管式换热器  
Stainless Steel Shell And Tube Heating Exchangers



不锈钢储罐  
Stainless Steel Storage Tanks



不锈钢反应釜  
Stainless Steel Reactors



不锈钢搅拌容器  
Stainless Steel Mixing Vessels



不锈钢过滤器  
Stainless Steel Filters



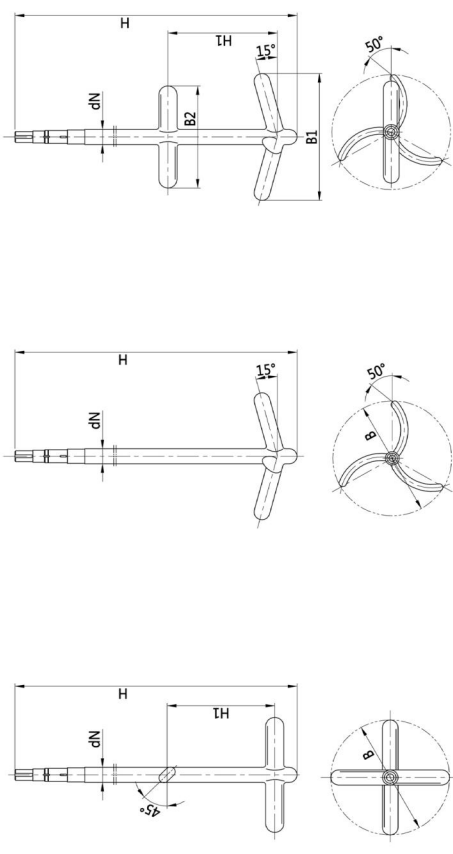
不锈钢反应釜  
Stainless Steel Reactors

# 搪玻璃搅拌器

## Glass-Lined Agitators

单位 (Unit) : mm

搅拌类型 Type 尺寸 Size 公称 直径 dN	框(锚)式 Frame(Anchor)		桨式 Paddle Type		叶轮式 Turbine Type		组合式 Combination Type				叶片式 Propeller Type								
	B	H	B	H	B	H	B1	B2	H1	H	B1	B2	H1	H	B1	B2	H1	H	
K50	40	900	300	100	900	300	300	300	300	900	300	300	300	900					
K100	40	520	1040	300	120	1040	300	300	300	1040	300	300	300	1040					
K200	50	620	1280	400	150	1250	400	400	400	1250	400	400	400	1250	450			1250	
K300	65	720	1440	400	200	1400	500	500	500	1400	500	500	500	1400	500			1400	
K500	65	810	1670	450	400	1590	500	500	500	1590	500	450	400	1590	500			1590	
K1000	80	1060	1960	680	600	1900	700	700	700	1900	700	680	600	1900	580			1900	
K1500	80	1180	2140	680	600	2140	700	700	700	2140	700	680	600	2140	630			2140	
K2000	80	1180	2480	680	600	2480	700	700	700	2480	700	680	600	2480	630			2480	
K3000	95	1440	2625	720	700	2625	800	800	800	2625	800	720	700	2625	780			2625	
K4000	95	1440	3100	720	700	3100	800	800	800	3100	800	720	700	3100	780			3100	
K5000	95	1580	3225	720	800	3225	850	850	850	3225	850	720	800	3225	830			3225	
K6300	95	1580	3690	720	800	3600	850	850	850	3600	850	720	800	3600	830			3600	
K8000	110	1800	4230																
K10000	110	1800	4350																
K12500	110	1800	5010																



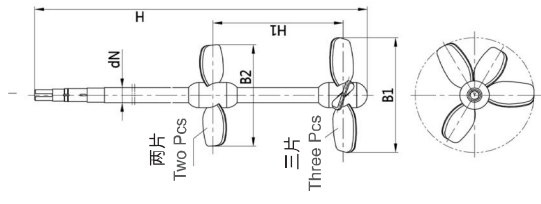
桨式 Paddle Type

叶轮式 Turbine Type

组合式 Combination Type

单位 (Unit) : mm

搅拌类型 Type 尺寸 Size 公称 直径 dN	桨式 Paddle Type		叶轮式 Turbine Type		组合式 Combination Type				叶片式 Propeller Type								
	B	H	B	H	B1	B2	H1	H	B1	B2	H1	H	B1	B2	H1	H	
F1500	80	680	2140	700	2140	700	580	600	2140	630			630			2075	
F2000	80	680	2480	700	2480	700	580	600	2480	630			630			2406	
F3000	95	720	2625	800	2625	800	720	700	2625	630			630			2455	
F4000	95	720	3100	800	3100	800	720	700	3100	630			630			2935	
F5000	95	720	3225	850	3225	850	720	800	3225	630			630			3090	
F6300	95	720	3600	850	3600	850	720	800	3600	630			630			3750	
F8000	110	880	3890	1100	3890	1100	880	1000	3890	830			830			3850	
F10000	110	980	4090	1200	4090	1200	980	1100	4090	830			830			4090	
F12500	110	980	4610	1200	4610	1200	980	1100	4610	830			830			4600	
F16000	130	980	4837	1200	4837	1200	980	1200	4837	830			830			4750	
F20000	140	1080	5390	1300	5390	1300	1080	1200	5390	930			930			5320	
F30000	160	1300	6145	1300	6145	1300	1080	1300	6145	1030			1030			6000	



叶片式 Propeller Type

框(锚)式 Frame (Anchor) Type

注: 规格 6300L 以下采用 TB 和 架内螺攻连接头。  
Notes: Specifications below 6300L use internal thread connecting shaft head.

## 冷冻拆装式搪玻璃搅拌机

Frozen Assembly Glass-Lined Agitators



CBT 涡轮式



TBF 推进式



PBT 斜叶桨式



VBT 直叶桨式



MIG 折叶桨式



VDT 圆盘涡轮



ANC 锚式



CBT+TBF 组合式

	混合 Blending And Heat Transfer	乳化 Emulsification	悬浮 Suspension	气体弥散 Gas Dispersion	高粘度 High Viscosity	低液位搅拌 Low-Level Mixing
CBT 涡轮式	优秀 Excellent	好 Good	好 Good	一般 Adequate	一般 Adequate	优秀 Excellent
TBF 推进式	优秀 Excellent	一般 Adequate	好 Good	一般 Adequate	好 Good	一般 Adequate
PBT 斜叶桨式	优秀 Excellent	好 Good	优秀 Excellent	一般 Adequate	好 Good	一般 Adequate
VBT 直叶桨式	好 Good	优秀 Excellent	一般 Adequate	一般 Adequate	一般 Adequate	一般 Adequate
MIG 折叶桨式	优秀 Excellent	好 Good	好 Good	一般 Adequate	一般 Adequate	一般 Adequate
VDT 圆盘涡轮	好 Good	好 Good	好 Good	优秀 Excellent	一般 Adequate	一般 Adequate
ANC 锚式	一般 Adequate	差 Poor	一般 Adequate	差 Poor	好 Good	好 Good
CBT+TBF 组合式	优秀 Excellent	优秀 Excellent	优秀 Excellent	优秀 Excellent	优秀 Excellent	优秀 Excellent

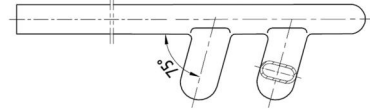
## 搪玻璃温度计套管和加料管

Glass-Lined Thermometer Pockets And Dip Pipes

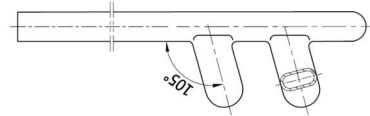
搪玻璃温度计套管和加料管 Glass-Lined Thermometer Pockets And Dip Pipes

兼备流体折流和测温套管双重作用的搪玻璃挡板。

Glass-lined baffle with dual functions of fluid refraction and thermometer pocket.



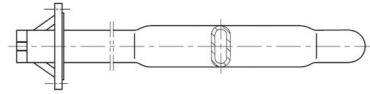
A型



B型



A型



B型

直叶指形挡板  
Vertical Finger Type

法兰型挡板  
Flange Type

加料(吸料)管  
Dip Pipes

带钽头温度传感器的温度计套管 Glass-Lined Thermometer Pockets With Temperature Sensor

在搪玻璃温度计套管的底部加上金属钽的测温头和PT100的铂电阻，可以准确、实时测量反应罐内部温度的变化。

Tantalum cap and PT100 RTD can be installed in the bottom of the glass-lined thermometer pocket and it can accurately measure the temperature inside of the reactor in real time.



## 搪玻璃放料阀

Glass-Lined Flush Valves



这种放料阀是搪玻璃反应釜专用的底部放料阀，它的阀体是由铸钢或铸钢制造的。在阀体的内表面及阀芯外表面均有搪玻璃，阀芯的密封是通过压紧四氟乙稀密封环来实现的。这种阀门分为上展式和下展式两类。

这种搪玻璃放料阀，还可以安装上测温探头，实现反应釜内的温度实时监测，避免了通过温度计套管测温时出现温度延迟及不准确的现象。该阀门还可通过更换阀芯的气动开启装置，来实现反应釜卸料的远程控制。

This type flush valve is specially used as bottom flush valve for glass-lined reactor. Its body is made by cast iron or cast steel and both inner surface of body and outer surface of valve core are glass-lined. The sealing of the valve core is achieved by compression of PTFE seal ring. It has two types: upper-moving type and lower-moving type.

This kind of glass-lined flush valve can be installed with tantalum cap to measure the temperature. It can measure the temperature very fast to avoid the delay or error of getting the temperature value by using normal thermowell pocket. The flush valve also can realize the remote control of glass-lined reactor discharging by changing the air actuated device of valve core.

### 搪玻璃搪瓷波纹管密封放料阀

搪玻璃搪瓷波纹管密封放料阀，是填料密封型放料阀的替代产品，具有密封性能可靠，清洗方便，可承受更高的操作压力等特点。阀体采用冲压成型的方式，材料强度大大提高。使用温度范围：-19℃~200℃。工作压力：0.6~1.6Mpa。

Glass-lined bellows seal type discharge valve, it is replacement product of stuffing seal type discharge valve. It has more reliable sealing performance, easy cleaning and operation. It can be used in higher operating pressure and lower operating temperature. The valve body is molded by stamping method. The strength of material is greatly improved than normal cast steel. Operating temperature: -19℃ ~200℃, Working pressure: 0.6~1.6 Mpa.



公称压力 PN / Nominal Pressure	PN0.4	PN0.6	PN1.0			PN1.6
公称直径 DN / Nominal Diameter	65/32	80/50	100/50	125/80	150/100	150/100
			80/50	100/50	125/80	150/100

公称压力 PN / Nominal Pressure	PN1.0			PN1.6	
公称直径 DN / Nominal Diameter	100/80	125/80	150/100	100/80	125/80
			150/100	100/80	150/100

## 机械密封

Mechanical Seals

### 212 型单端面机械密封



压力Pressure: -0.1~0.4MPa  
温度Temperature: -20~200℃  
转速Rotating Speed: ≤2m/s  
特点Characteristics: 结构简单、安装空间小、易清理、保养、适用无颗粒的各种强腐介质。

Simple structure, small installation space, easy cleaning & maintenance, suitable for various strong corrosion medium without particles.

### 212F 型单端面干磨式机械密封



压力Pressure: -0.1~0.2 MPa  
温度Temperature: -20~120℃  
转速Rotating Speed: ≤2m/s

特点Characteristics: 干磨式密封，无需润滑，带有可拆式有机玻璃防尘装置，易清理；与介质接触部件材料为非金属，耐腐蚀性强，适合除结晶性与氢氟酸之外的各种强腐介质。

Dry seal without lubrication, with detachable organic glass dust-proof cover, easy cleaning, all parts contact with medium are made of nonmetallic material, suitable for various strong corrosion medium except crystalline and hydrofluoric acid.

### 2009 型双端面机械密封



压力Pressure: -0.1~1.0MPa  
温度Temperature: -20~200℃  
转速Rotating Speed: ≤2m/s

特点Characteristics: 集装式结构、传动无方向性，主要适用各种强腐蚀带颗粒介质。

Integrated structure, directionless drive, suitable for various strong corrosion medium with particles.

### 2017B 型机械密封



压力Pressure: -0.1~1.0MPa  
温度Temperature: -20~200℃  
转速Rotating Speed: ≤2m/s

特点Characteristics: 干磨式密封，集装式结构、运转效率高、寿命长，适用带颗粒的强腐介质。

Dry seal without lubrication, integrated structure, high rotation efficiency, long life, suitable for strong corrosion medium with particles.

## 驱动装置

Drives

### 摆线针轮减速机

Cycloidal Pinwheel Reducers

摆线针轮减速机具有传动效率高，工作平稳，噪声低，结构紧凑，使用可靠，寿命长等优点，是目前比较理想的减速装置。

我公司生产的搪玻璃系列反应釜采用了这种传动装置，根据设备大小配备了不同的功率型号。

Cycloid pinwheel reducer has the advantage of high transmission efficiency, smooth running, low noise, compact structure, reliable operation, long service life and it is the relative ideal reduction gear so far.

Our glass-lined reactor adopts such transmission device and is equipped with different power model according to the size of the equipment.



功率 Power KW	减速机 Reducer	转速 r/min Speed		配套反应釜 Reactor
		i=11	i=23	
0.75	BLD-1	130	85	50-100L
1.1	BLD-1	130	85	200L
3	BLD-2	130	85	300-800L
4	BLD-3	130	85	1000-2000L
5.5	BLD-3/4	130	85	2500-5000L
7.5	BLD-4	130	85	3000-6300L
11	BLD-4	130	85	8000L
11	BLD-5	130	85	10000L
15	BLD-5	130	85	12500L
18.5	BLD-6	130	85	15000-20000L

### 斜齿轮减速机

Helical Gear Reducers

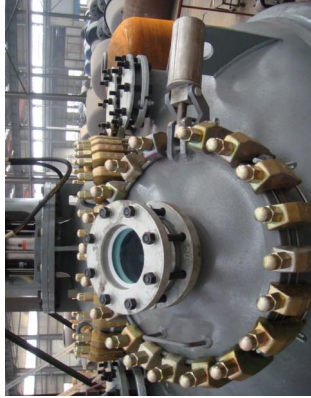
斜齿轮减速机，采用模块化，模块化的设计理念，具有体积小、重量轻、传递转矩大、启动平稳、传动比分级精细等特点，可根据用户要求选择不同的安装位置。齿轮采用优质高强度合金钢，表面渗碳硬化处理，承载能力强，经久耐用。

Helical gear reducer adopts the most optimized and modular design concept and it has the characteristic of small size, light weight, large transmission torque, smooth starting, fine ratio grading. Customers can choose different installation location according to their requirement. Gear adopts excellent high strength alloy steel and its surface is done with carburizing and hardening treatment. It has strong carrying capacity and can be used for a long time.



## 人孔装置

Manhole Cover Devices



此人孔装置，带有保护环和弹簧辅助开启装置，可比较方便的装配在搪玻璃反应釜上，利用弹簧的作用，可方便地打开和关闭。保护环装置可避免投料时对釜盖人孔的磨损和碰伤。

The manhole device with protection ring and spring assisted opening device, can be easily assembled on top of glass-lined reactors, easy to open and close. When feeding, the manhole can avoid being worn and bruised with the protection ring device.

带烧蚀视镜型人孔装置，此结构是上一代人孔装置的升级产品。该结构更适用于安装在高温清洗系统的生产线。由于视镜玻璃和人孔盖在高温下烧结为一体，使视镜玻璃更易清洗。加之采用快开手孔装置，使手孔盖的开启更方便，更快捷。

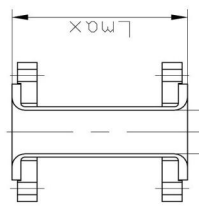
The manhole cover with sintering sight glass is the upgraded products. This device is more suitable for installation in the CIP cleaning system of the production lines. The sight glass and manhole cover have been burned into an organic whole, which makes it easier for sight glass to be cleaned. What's more, using quick opening hand hole device makes the operation more convenient and faster.



# 搪玻璃管件

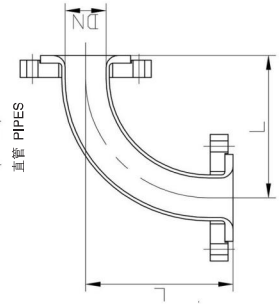
## Glass-Lined Pipes And Fittings

我们有各种规格的搪玻璃管件及塔节供用户选择,也可根据用户要求制作各种异型的管件  
Various glass-lined pipes and columns are available. We also manufacture them according to your requirements.



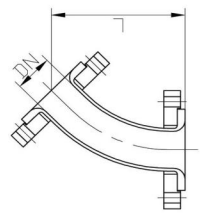
直管 mm Pipes

DN	32	40	50	65	80	100	125	150	200	250
Lmax	500	1000	1500	1500	1500	1500	1500	2000	2000	2000



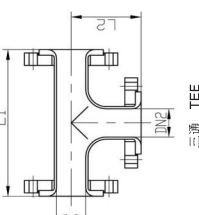
90° 弯头 mm 90° Elbow

DN	32	40	50	65	80	100	125	150	200	250
L	105	110	125	135	145	155	175	200	260	310



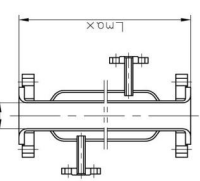
45° 弯头 mm 45° Elbow

DN	32	40	50	65	80	100	125	150	200	250
L	114	118	128	135	143	155	168	191	235	274



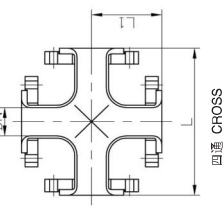
三通 mm Tee

DN	32	40	50	65	80	100	125	150	200	250
L1	210/90									
L2	220/95	220/100								
L3	240/110	240/105	240/120							
DN	50									
L1	280/115	280/110	280/115	280/130						
L2	280/110	280/115	280/120	280/130	280/140					
L3	310/125	310/130	310/135	310/140	310/155					
DN	125									
L1	540/145	540/150	540/155	540/160	540/170					
L2	380/165	380/165	380/175	380/180	380/195					
L3	460/195	460/200	460/210	460/220	460/230					
DN	200									
L1	540/230	540/235	540/245	540/250	540/270					



带夹套直管 mm Jacketed Pipes

DN	32	40	50	65	80	100	125	150	200	250
Lmax	510	1000	1000	1500	1500	1500	1500	2000	2000	2000



四通 CROSS

四通 mm CROSS

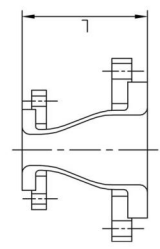
DN	32	40	50	65	80	100	125	150	200	250
L	210	220	220	260	280	310	340	390	460	540
L1	105	110	120	130	140	155	170	195	230	270



异径法兰 FLANGED TAPERS

异径法兰 mm Flanged Tapers

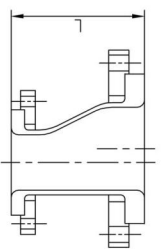
DN	32	40	50	65	80	100	125	150	200
L	35	35	35	35	35	35	35	35	35
L1	35	35	35	35	35	35	35	35	35
L2	45	45	45	45	45	45	45	45	45
L3	45	45	45	45	45	45	45	45	45
L4	45	45	45	45	45	45	45	45	45



同心异径管 CONCENTRIC PIPES

同心异径管 mm Concentric Pipes

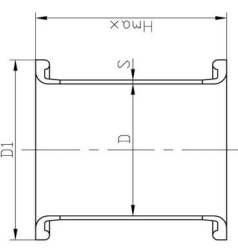
DN1	32	40	50	65	80	100	125	150	200
DN2	40	145							
L	155	170	170	170	170	170	170	170	170
L1	150	170	170	170	170	170	170	170	170
L2	190	190	190	190	190	190	190	190	190
L3	210	210	210	210	210	210	210	210	210
L4	230	230	230	230	230	230	230	230	230
L5	250	250	250	250	250	250	250	250	250
L6	280	280	280	280	280	280	280	280	280



偏心异径管 ECCENTRIC PIPES

偏心异径管 mm Eccentric Pipes

DN1	32	40	50	65	80	100	125	150	200
DN2	40	155							
L	170	170	170	170	170	170	170	170	170
L1	170	170	170	170	170	170	170	170	170
L2	190	190	190	190	190	190	190	190	190
L3	210	210	210	210	210	210	210	210	210
L4	230	230	230	230	230	230	230	230	230
L5	250	250	250	250	250	250	250	250	250
L6	280	280	280	280	280	280	280	280	280



塔节 COLUMNS

搪玻璃塔节 mm Glass-Lined Columns

公称尺寸DN	D	D1	S	Hmax	Hmin	参考重量kg
Nominal Size	D	D1	S	Hmax	Hmin	Reference Weight
300	300	400	8	1500	121	121
400	400	500	8	2000	195	195
500	500	600	8	2500	293	293
600	600	700	8	3000	290	290
700	700	800	10	3000	585	585
800	800	900	10	3000	676	676
900	900	1000	10	3000	770	770
1000	1000	1100	12	3000	1015	1015
1100	1100	1200	12	3000	1114	1114
1200	1200	1300	12	3000	1210	1210
1300	1300	1400	14	3000	1527	1527



## 活套法兰和垫片

Split Flanges And Gaskets

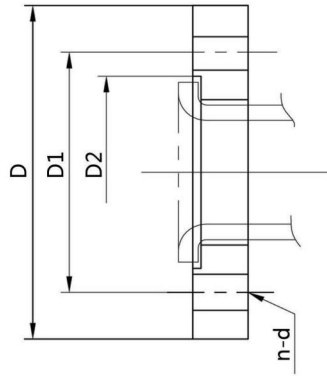
### 密封垫圈 Gaskets

高品质的非石棉不锈钢波纹垫片,适用于公称压力小于或等于1Mpa,工作温度-20℃~200℃的搪玻璃设备。其内部有不锈钢波纹板夹层,使垫片在使用中有很好的弹性和密封性。

High quality non-asbestos with SS corrugation gasket enveloped PTFE is available for glass-lined equipments with nominal pressure less than or equal to 1 Mpa and working temperature -20° C--+200° C. It has stainless steel corrugation layer which could make the gasket have good elastic and sealing performance when it is being used.



### 活套法兰 Split Flanges



公称压力PN Nominal Pressure	PN0.6				PN1.0			
	D mm	D1 mm	D2 mm	n-d	D mm	D1 mm	D2 mm	n-d
50	140	110	92	4-14	165	125	104	4-18
65	160	130	112	4-14	185	145	124	8-18
80	190	150	130	4-18	200	160	135	8-18
100	210	170	150	4-18	220	180	160	8-18
125	240	200	180	8-18	250	210	190	8-18
150	265	225	204	8-18	285	240	214	8-22
200	320	280	260	8-18	340	295	270	8-22
250	375	335	314	12-18	395	350	324	12-22

## 高性能的搪玻璃釉

High Performance Enamel

### 高耐腐蚀性能 TJ09 Corrosion Resistance Property

太极自行研制的TJ09瓷釉的性能已经达到国际先进水平。在抗酸、碱腐蚀、机械冲击,耐温急变及耐磨损方面,均有卓越的性能。它可以抵抗除氢氟酸和浓磷酸之外的一切有机酸、无机酸、有机溶剂及弱碱等介质的腐蚀。

TJ09 enamel developed by TAJI itself has reached the international advanced level. It has an excellent performance in resistance to acids, alkalis corrosion, mechanical shock and sharp temperature variation. It can resist to corrosion of various organic and inorganic acids, organic solvents and weak alkalis except hydrofluoric acid and phosphoric acid.



太极瓷釉均采用国际先进的电熔炉烧结工艺,配料精准,严格控制每一道制作工序,充分保证了搪瓷釉料的质量。

TAJI enamel adopts international advanced electric furnace sintering process and accurate compounding for enamel, strictly controls every production process and completely guarantees the quality of the enamel.

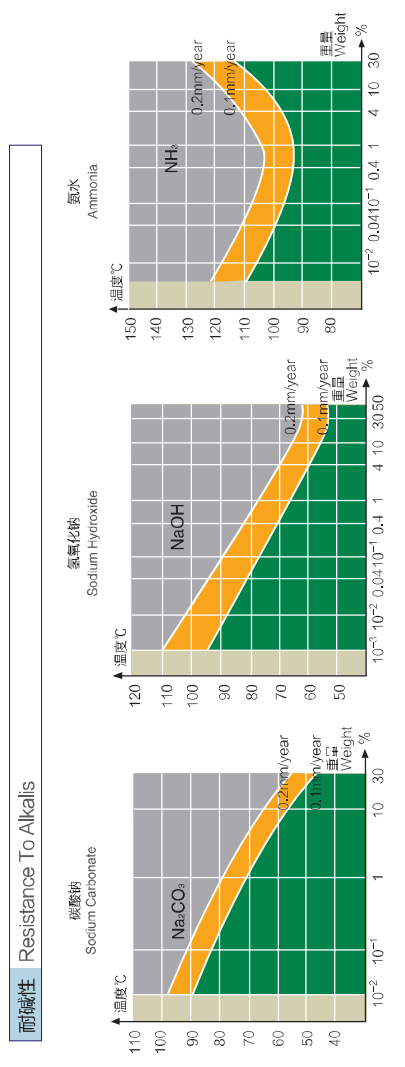
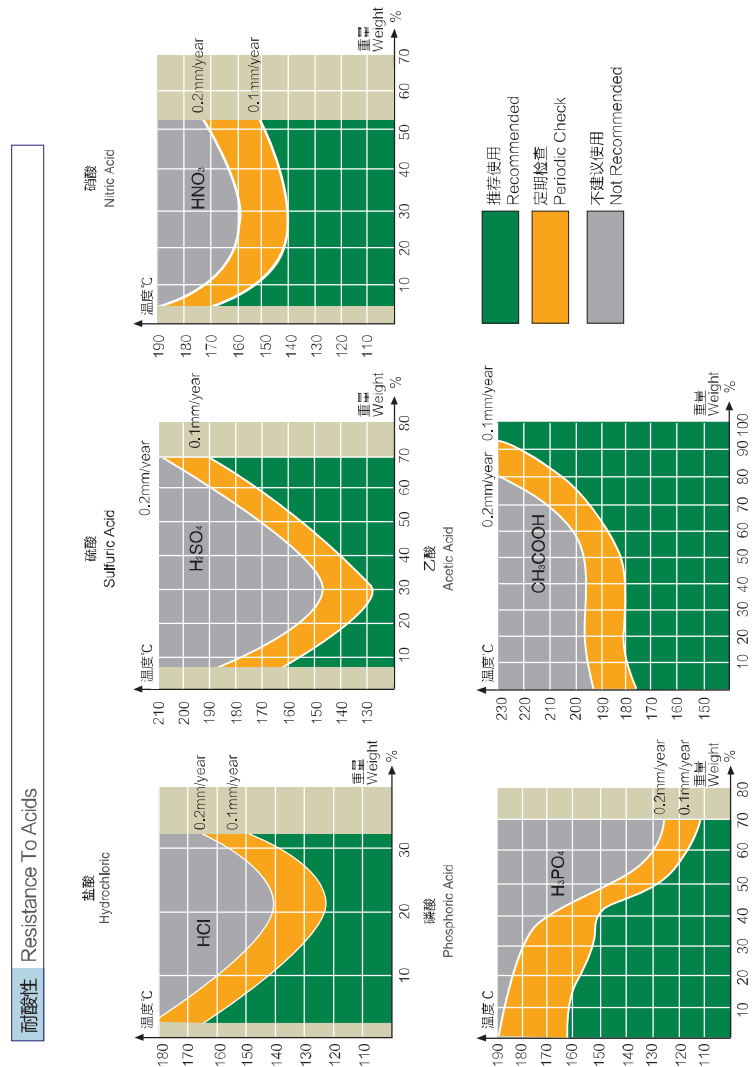


### 腐蚀曲线 The Corrosion Curves

下图腐蚀曲线图展示了典型酸、碱介质的腐蚀性。当腐蚀速率小于0.1mm/年时,说明介质对搪玻璃腐蚀性很弱,推荐使用。当腐蚀速率在0.1~0.2mm/年时,说明介质对搪玻璃有一定的腐蚀,需定期检查搪玻璃被腐蚀的情况。当腐蚀速率大于0.2mm/年时,说明介质对搪玻璃有严重腐蚀,不推荐使用。下图展示了介质在不同的温度和浓度下,对搪玻璃瓷层产生的腐蚀曲线。

The corrosion curves show the typical corrosion of acid and alkali medium. When the corrosion rate less than 0.1mm/year, that medium on the glass-lined surface corrosion is very weak and recommended to be used. When the corrosion rate in 0.1~0.2mm/year that the medium has some corrosion for glass-lined surface, so need regularly check the glass-lined surface corrosion situation. When the corrosion rate more than 0.2mm/year, that medium has a serious corrosion in glass-lined surface, it is does not recommend to be used. The below figure shows the corrosion curves of the medium at different temperatures and concentrations.

## 企业文化 Enterprise Culture



员工在典礼仪式上表演太极拳  
The Staffs Performing Chinese Traditional Taiji-Quan At Ceremony



太极3D影院  
Tajii 3D Film Theater



厂区一角  
Corner Of The Company



厂区一角  
Corner Of The Company



太极员工宿舍区  
The Apartment Of Tajii's Staff



公司为主要骨干员工配备的车辆  
Cars Provided For The Main Backbone Employees



职工健身房  
Workers Gym



职工及家属在公司游泳池中嬉戏  
Workers And Their Family Members Playing In Swimming Pool



室内羽毛球场  
Indoor Badminton Court

## 高性能的搪玻璃釉 High Performance Enamel

# 太极公司发展历史重点记事

- 1972年06月 太极董事长傅光胜的父亲傅具恩先生率领傅家乡公社人民生产出中国乡镇第一批搪玻璃设备。
- 1986年09月 时年24岁的太极公司董事长傅光胜先生开始从事制造搪瓷设备企业的全面管理工作。
- 1989年12月 太极过渡企业和工业搪瓷厂成立。
- 1993年09月 十九名股东正式成立经营制造搪玻璃设备。
- 1994年06月 淄博太极工业搪瓷有限公司正式挂牌成立，骨干员工均是从77年开始参与搪瓷设备研发与制作。
- 1995年10月 太极公司取得了国家一、二类压力容器设计与制造资质。
- 1997年12月 在中国同行业中首家取得美国ASME认证、国家进出口许可证。
- 1998年10月 太极在美国、巴西、俄罗斯、印度等国家设置代理，并广泛出口搪瓷设备。
- 1999年10月 在中国同行业中首家通过了ISO9001国际质量管理体系认证。
- 2000年03月 自主研发设计制造成功大型搪玻璃设备的制造烧成技术。
- 2001年08月 出口日本的一大批非标准搪玻璃设备虽工期极短，但仍按期交货，并一次性通过非常苛刻严格细致的验收。
- 2003年09月 投资3亿，占地210亩的太极工业园建成并投入使用，同年具有国内领先水平的太极搪瓷设备生产流水线投入使用。
- 2003年11月 取得国家三类压力容器设计及制造资质，并成为中国地区搪瓷制造厂家龙头企业。
- 2004年05月 太极已取得三十多项专利技术，并荣获山东省专利“明星企业”。
- 2005年07月 太极投入2600万建成可燃制10万升容积的搪瓷专用电炉。
- 2006年12月 太极搪玻璃设备获得“山东名牌”荣誉称号。
- 2007年01月 中国第一台80000升搪玻璃大罐在太极制造成功。
- 2007年02月 成功取得了欧洲PED认证，太极搪玻璃设备开始进军欧洲市场。
- 2008年03月 太极设备覆盖全球23个国家和地区。
- 2008年05月 公司成功研制J08瓷釉，在耐酸耐碱耐腐蚀方面都达到世界同行先进水平。
- 2008年08月 公司投入一亿二千万购置和自建高档住宅120余套，四星级单身宿舍200余间，用于员工福利。
- 2009年03月 太极成为市、区政府管理示范企业。
- 2009年09月 中国同行业首家通过ISO14001环境管理体系认证。
- 2010年06月 中国搪瓷工业协会授予太极“中国搪瓷行业（工业搪瓷）十强企业”荣誉称号。
- 2010年09月 投入6000余万元在三阳购入房产30余套供员工休闲养老度假使用。
- 2012年02月 纳税金额超2000万元，成为搪玻璃设备同行业中纳税最多的企业。
- 2014年12月 太极员工已有1000余人，技术人员300余人，配置设备400多台套，净资产5亿元，每年所制造销售的搪瓷设备超过淄博所有三十余家同行厂家的总和。
- 2015年03月 投资5000万建设制造不锈钢设备及高端非标搪玻璃设备车间。



太极工业园建成二十周年庆典

太极员工高唱太极之歌  
Staffs Singing "Song of Taiji"



员工在工作之余进行篮球比赛  
The Staffs Participating In Basketball Match At Rest Time



员工参加乒乓球比赛  
The Staffs Participating In Table Tennis Contest



员工参加羽毛球比赛  
The Staffs Participating In Badminton Match

太极天地人和  
Harmony of the Heaven, the Earth and the People in Taiji

朋友吉祥如意  
Happiness and luck to friends



公司应邀表演百人太极  
Show One Hundred People Taiji Gongfu



职工参加“齐心协力跑”比赛  
Workers In "Work Together to Run" Game



职工自编自演舞蹈  
Workers Are Dancing Designed By Themselves



职工摔跤比赛一展男儿本色  
Workers Are Wrestling



每年都要资助贫困学生  
Subsidize Poor Students Every Year



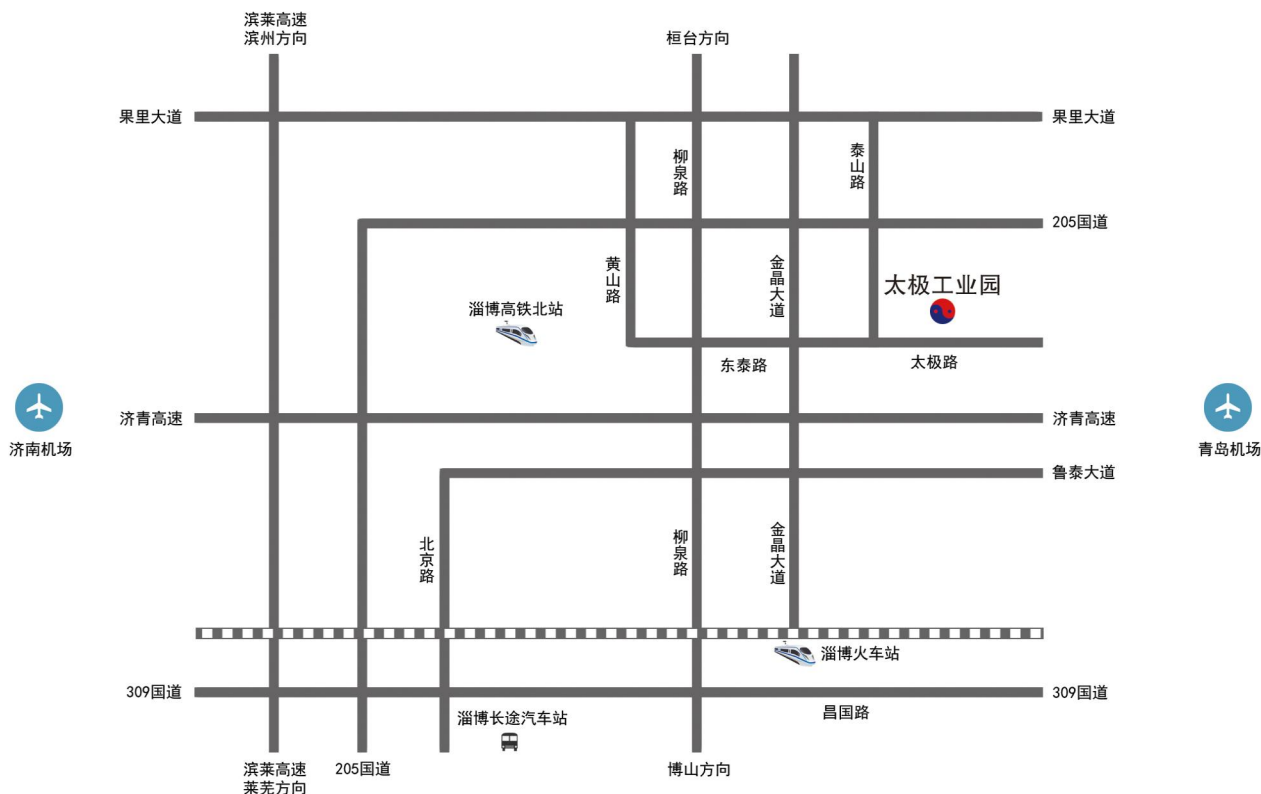
投资建成“笑雨太极养生园”  
Invested And Built "Xiao Yu Taiji Health Garden"



资助贫困患者调理身心,恢复健康和快乐。  
Help Poor Patients Regulate Body and Mind to Restore Health and Happiness



在山东职业学院设立傅太极奖学金  
Set Taiji Scholarship In The Shandong Industrial College



### 国内销售(Domestic Sales Department):

地址: 山东省淄博市桓台县果里镇新世纪工业园泰山路100号

电话: 0533-8404588 8404688

传真: 0533-8404788

邮编: 256414

网址: www.tjtbl.com

电子信箱: sales@tjtbl.com

### 国际销售(International Sales Department):

Address: No.100 Taishan Road, New Century Industrial Park, Guoli, Huantai District, Zibo City,  
Shandong Province, China 256414

Tel: +86 -533-8409980

Fax: +86 -533-8409960

Website: www.taijitbl.com

E-mail: taiji@taijitbl.com

客户朋友: 您对太极产品及服务有何不满之处敬请告知!

监督电话: (0)15053366619

客户投诉邮箱: taijizongcai@tjtbl.com(太极总裁专用)

Dear Customer, we sincerely appreciate your comments or even opinions on our products and service!

Telephone(for complaints): (0)15053366619

Email: taijizongcai@tjtbl.com( exclusively for Taiji President)

注: 1.本公司保留对样本的修改权利, 样本仅供参考。

2.未经许可, 不准复印

Note:1.The company reserves the right to make modification to the Catalogue at any time without prior notice. The Catalogue is for reference only.

2.Duplication in any forms is prohibited without our approval.